



Accentra52i-TC shown in Majolica Brown

Accentra52i-TC

P42i-TC



Easy operation with the Harman EASY Touch Control



Quickly observe fuel levels through the tinted lid of the large hopper

	Accentra52i-TC	P42i-TC
Heating Capacity¹	900-2,600 sq ft	800-2,400 sq ft
BTU/hr Input²	11,200 - 50,300	7,400-41,800
Efficiency³	81% LHV/76% HHV	84% LHV/79% HHV
Emissions	1.1 g/hr	1.0 g/hr
Hopper Capacity	47.5 lb (20")/64.5 lb (24")	47.5 lb (20")/64.5 lb (24")
Feed Rate	1.5-5.8 lb/hr	.93-5.3 lb/hr
Venting Size⁴	4"	4"
Weight	460 lb	412 lb

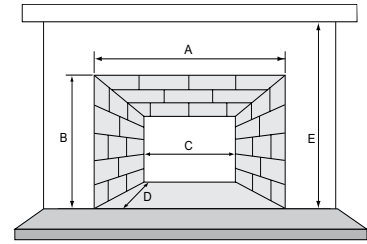
Designed with true engineering excellence, Harman pellet inserts are built with our uncompromising commitment to quality and standard features that are worth the investment.

3 Easy Steps To Upgrade Your Existing Wood-Burning Fireplace

STEP 1: Measure Your Existing Fireplace

The height, width and depth of the existing fireplace opening is needed to ensure selection of an appropriately sized insert:

- A. Fireplace front width _____
 B. Fireplace front height _____
 C. Fireplace back width _____
 D. Fireplace Depth _____
 E. Hearth to mantel height _____
 (based on a 12" deep combustible mantel)



When choosing your model, keep these two factors in mind and you're sure to make a solid choice:

- Consider the size of your existing fireplace opening – try and fill that space
- Consider how your insert will be used: room size, heating needs and usage frequency all come into play

STEP 2: Choose your surround

Surrounds fill the gap between the fireplace insert and existing fireplace opening. Both the Accentra52i-TC and the P42i-TC come standard with the small surround. Choose the surround extension (48" w x 36" h) if you need the larger size, or custom sizes are available (up to 60" w x 47" h).

STEP 3: Customize your insert

See all of the options available for Harman pellet inserts at forgenflame.com



Choose Matte Black or Majolica Brown Porcelain finish (Accentra52i-TC only)



Ceramic Log Kit

Technologies

EASY Touch Controls easy to use, one-screen operation with menus for scheduling, diagnostics, cleaning prompts and fuel gauges

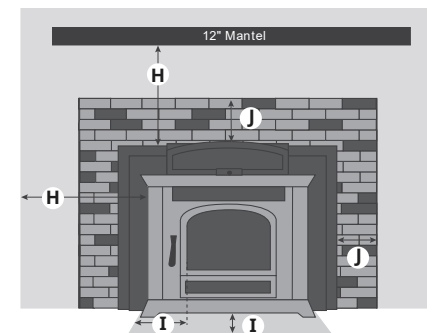
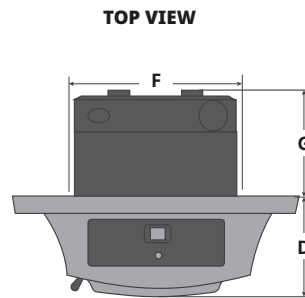
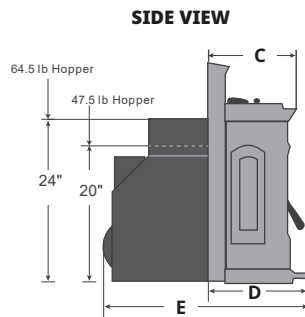
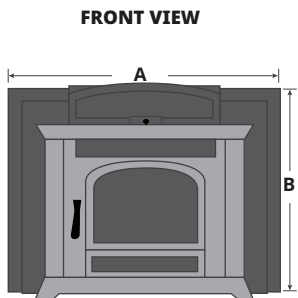
Wireless Room Sensor compliments the Easy Touch Control system and gives you the most precise temperatures where you want to feel the heat

ESP Temperature Control an exhaust sensing probe system delivers precise heating control and constantly monitors and adjusts heat output to maintain set room temperatures

PelletPro™ Technology makes it possible to burn any grade of pellet fuel with maximum heat and efficiency. A bottom-up feed system burns each pellet completely and allows for 24-hour heating

Specifications

	A	B	C	D	E	F	G	H	I	J	Min. Floor Protection
Accentra52i-TC	41-13/16" (1062mm)	32-1/8" (816mm)	12-3/4" (324mm)	14-3/8" (365mm)	29-15/16" (760mm)	24-7/8" (632mm)	15-9/16" (395mm)	12" (305mm)	6" (152mm)	0" (steel surround to 3/4" trim)	30"W x 16-1/2"D (762mm x 419mm)
P42i-TC	42" (1067mm)	30-7/8" (784mm)	12-3/8" (314mm)	12-3/4" (324mm)	27-3/4" (705mm)	24-7/8" (632mm)	15" (381mm)	12" (305mm)	6" (152mm)	0" (steel surround to 3/4" trim)	30"W x 17"D (762mm x 432mm)



Scan to learn more.



For full warranty details, visit www.forgenflame.com. ¹See your local authorized Harman dealer for help in determining the product that best suits your heating needs based on climate and home efficiency. ²EPA tested input. ³Weighted average LHV (Low Heating Value) efficiency. HHV (High Heat Value) efficiency used to qualify products for Tax Credit beginning in 2023.

Actual product appearance, including flame, may differ from image. Product specifications and pricing subject to change without notice. The images and descriptions in this brochure are provided to assist you in product selection only. Fuel density and pellet shape may affect hopper capacity. BTUs may vary depending on type of fuel used. Refer to installation manual for complete clearance requirements and specifications. Appliance surfaces get extremely HOT and can cause severe burns if touched. Keep a safe distance away. To learn more visit www.forgenflame.com/pages/fireplace-safety.



FORGENFLAME.COM