

ANSWER NEXGEN-HYBRID™ WOOD BURNING INSERT

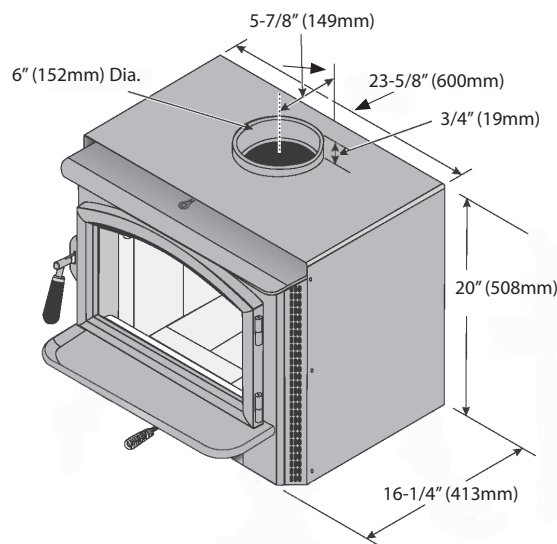


**THIS MODEL QUALIFIES FOR THE 30% USA TAX CREDIT
ON THE PURCHASE, VENTING AND INSTALLATION COSTS**
PLEASE CONSULT WITH YOUR TAX ADVISOR TO CONFIRM YOUR ELIGIBILITY FOR THIS TAX CREDIT

SMALL INSERT WITH GREAT CONVECTIVE HEAT

The Answer NexGen-Hybrid™ is an excellent heat source for individual rooms or small homes. It conserves space by mounting almost flush to your existing masonry fireplace. This insert has a huge viewing area and sleek door design, along with a 1.4 cubic foot firebox that holds up to 18-inch logs. The Answer NexGen-Hybrid™ offers advanced features like a five-sided convection chamber to evenly distribute warm air and a single air control for easy regulation of burns and heat output. A standard Bypass Damper means easy startups and reloading.

NexGen-Hybrid™ technology produces cleaner, longer burns, higher efficiencies, and more heat into your home, even when the power is out.



ANSWER NEXGEN-HYBRID™ WOOD BURNING INSERT

NEXGEN-HYBRID™ TECHNOLOGY, THREE STAGES OF COMBUSTION

Stage 1: Occurs when the wood is burning and heat from the fire causes the wood to release gases and smoke.

Stage 2: Preheated air is introduced into the fire, which ignites the gases and smoke. This produces more heat and reduces emissions.

Stage 3: Remaining gases and smoke enter an advanced combustion chamber above the baffle plate where they are reignited, producing even more heat and reducing emissions even further.

The result of this three-stage combustion process is cleaner, longer burns, higher efficiencies, and more heat into your home. This makes NexGen-Hybrid™ wood appliances some of the most efficient and cost effective ways to heat your home, even when the power is out.

SPECIFICATIONS

Emissions:	1.4 Grams Per Hour
Heating Capacity:*	750 to 1,200 Square Feet
Cord Wood BTU's:	12,500 - 60,000
Crib Wood BTU's:	12,252 - 38,594
Maximum Burn Time:	8 + Hours
Efficiency:**	80% HHV

* Heating capacity may vary depending on degree of home insulation, floor plan and ambient temperature zone of the area you live.

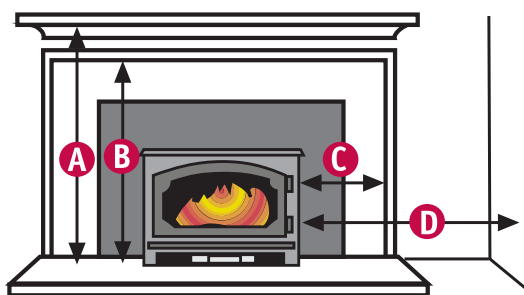
**As tested using B-415.1 using Cord Wood HHV = High Heat Value

Glass Viewing Area:	135 sq. in (15-1/4"W x 9-1/4"H)
Firebox Size:	1.4 Cubic Feet
Maximum Log Size:	18"
Weight:	285 Pounds
Construction:	5/16" to 3/16" Steel Plate

OPTIONS

- One Piece Finish Panels
- Custom Panels also available through your Lopi Dealer
- 130 CFM Convection Fan

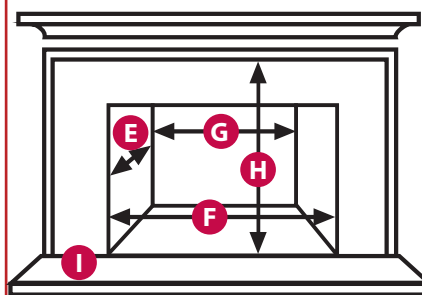
CLEARANCES & HEARTH PROTECTION



All Inserts must have a non-combustible hearth pad that extends a minimum of 16" in front of the insert and 8" to the sides.

A = Hearth to Mantel	Masonry
B = Hearth to Top Facing	35-1/2"
C = Firebox Side to Side Facing	32"
D = Firebox Side to Side Wall	9-1/2"
	13"

SIZING YOUR FIREPLACE FOR AN INSERT



Your Fireplace Measurements	
E = Depth	_____
F = Front Width	_____
G = Back Width	_____
H = Height	_____
I = Hearth Depth	_____

Please use the provided chart above to mark down your fireplace dimensions. This will assist you in determining the right Lopi insert for your fireplace.

Travis Wood Burning Fireplaces, Stoves, and Inserts are protected by one or more of the following patents; U.S. 9,170,025 & 4,665,889 as well as other U.S. and Foreign Patents pending.

LARGE FLUSH NEXGEN-HYBRID™ WOOD BURNING INSERTS



**THIS MODEL QUALIFIES FOR THE 30% USA TAX CREDIT
ON THE PURCHASE, VENTING AND INSTALLATION COSTS**
PLEASE CONSULT WITH YOUR TAX ADVISOR TO CONFIRM YOUR ELIGIBILITY FOR THIS TAX CREDIT

OUR CLEANEST BURNING LARGE WOOD INSERT

The Large Flush NexGen-Hybrid™ Wood Insert is a great option for those looking to upgrade their old, inefficient fireplace. It features a sleek, flush design, a big, beautiful fire viewing area, and concealed convection fans that increase the transfer and circulation of heat throughout your home.

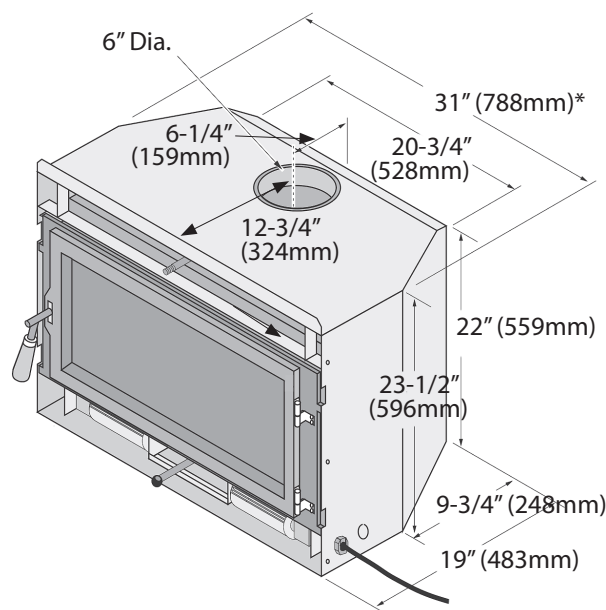
NexGen-Hybrid™ Technology provides cleaner, longer burns, higher efficiencies and more heat into your home. This makes the Large Flush NexGen-Hybrid™ Wood Insert one of the most efficient and cost effective ways to heat your home, even if the power goes out.

Here are just a few benefits you'll love about the Large Flush NexGen-Hybrid™ Wood Insert:

- Cleaner burns with lower emissions than traditional wood inserts.
- Massive 2.7 cubic foot firebox accommodates logs up to 24 inches long, which allows you to burn more wood efficiently and for longer burn times.
- Bypass damper helps to prevent smoke-backs during loading and reloading.
- Single operation air control gives you full range of control over the burn rate (low, medium, and high).
- Huge fire viewing area with beautiful arched and rectangular door designs.
- Optional GreenStart® Igniter makes starting your wood fires as easy as pushing a button!



Learn More About
NexGen-Hybrid™
Technology



*GreenStart® Igniter option requires additional firebox width measured 3" from front of fireplace opening.

SPECIFICATIONS

Heating Capacity*:	1,500 - 2,500 Square Feet
Cord Wood BTU's:	18,000 - 67,000
Crib Wood BTU's:	11,162 - 39,875
Emissions:	0.8 Grams/Hr. (Crib Wood)
HHV Overall Efficiency:**	Up to 77.8%
Maximum Burn Time:	Up to 12 Hours
Firebox Size:	2.7 Cubic Feet
Maximum Log Size:	24 Inches
Weight:	530 Pounds
Construction:	5/16" to 1/4" Steel Plate
Glass Viewing Area:	24-1/2" W x 13" H 307 Sq. In. Arch Door 319 Sq. In. Rectangular Door

* Heating capacity may vary depending on degree of home insulation, floor plan and ambient temperature zone of the area you live.

**As tested using B-415.1. HHV = High Heat Value

OPTIONS

- Insert Wiring Kit
- **GREEN START™** Igniter starts your fire with the push of a button!

RECTANGULAR DOOR FACE OPTIONS



Universal Face
Metallic Black paint finish
35-3/8" W x 26-1/4" H



Times Square™ Face
Metallic Black paint finish
37-3/4" W x 25-3/4" H



Metropolitan™ Face
Metallic Black paint finish
35-3/8" W x 26-1/4" H

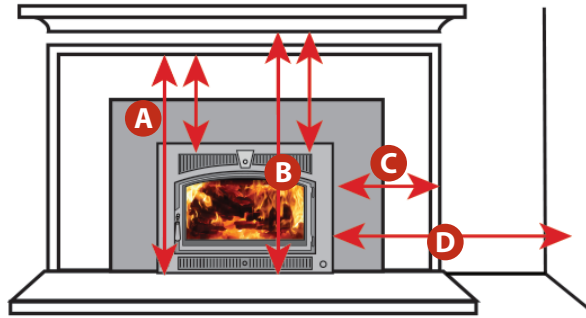


Shadowbox™ Face
Metallic Black paint finish
37-3/4" W x 25-1/8" H



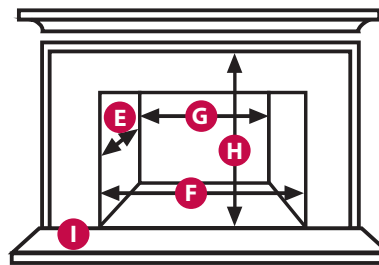
Cast Iron Boston™ Face
Metallic Black paint finish
36-1/4" W x 25" H

CLEARANCES TO UNPROTECTED COMBUSTIBLES



	Masonry	Metal (ZC)
A = Insert Base to Top Facing	37"	37"
B = Insert Base to Mantel	41"	41"
C = Firebox Side to Side Facing	5-1/2"	5-1/2"
D = Firebox Side to Side Wall	10-1/2"	10-1/2"

SIZING YOUR FIREPLACE FOR AN INSERT



Your Fireplace Measurements

E = Depth	_____
F = Front Width	_____
G = Back Width	_____
H = Height	_____
I = Hearth Depth	_____

Please use the provided chart above to mark down your fireplace dimensions. This will assist you in determining the right insert for your fireplace.

Approved ZC Fireplaces: See the Owner's Manual for details.

ARCHED DOOR FACE OPTIONS



Wilmington™ Face
Metallic Black paint finish
35-3/8" W x 26-3/8" H



Classic Arch™ Face
Metallic Black paint finish
35-1/4" W x 26-3/8" H



Artisan™ Hand-Forged, Hand Hammered Face
New Iron paint finish
35-1/4" W x 26-3/8" H
Limited to stock on hand



Cast Iron Boston™ Face
Metallic Black paint finish
36-1/4" W x 25" H

MEDIUM FLUSH NEXGEN-HYBRID™ WOOD BURNING INSERTS



**THIS MODEL QUALIFIES FOR THE 30% USA TAX CREDIT
ON THE PURCHASE, VENTING AND INSTALLATION COSTS**
PLEASE CONSULT WITH YOUR TAX ADVISOR TO CONFIRM YOUR ELIGIBILITY FOR THIS TAX CREDIT

THE MEDIUM WOOD INSERT YOU ARE GOING TO LOVE

The Medium Flush NexGen-Hybrid™ Wood Insert is a great option for those looking to upgrade their old, inefficient fireplace. It features a sleek, flush design with a big, beautiful fire viewing area and concealed convection fans that increase the transfer and circulation of heat throughout your home.

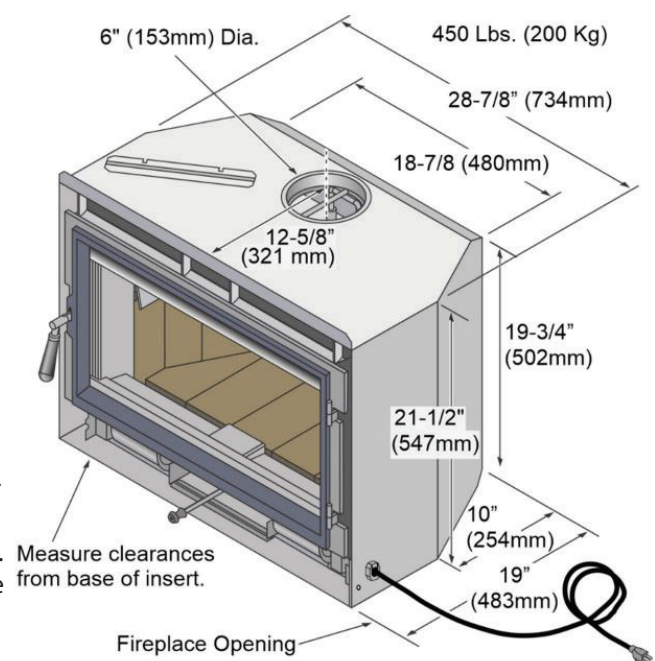
NexGen-Hybrid™ Technology provides cleaner, longer burns, higher efficiencies and more heat into your home. This makes the Medium Flush NexGen-Hybrid™ Wood Insert one of the most efficient and cost effective ways to heat your home, even if the power goes out.

Here are just a few benefits you'll love about the Medium Flush NexGen-Hybrid™ Insert:

- Cleaner burns and higher efficiencies mean less smoke and trips to the wood pile.
- Generous 2.2 cubic foot firebox holds logs up to 24 inches long, allowing for 10 hour burn times.
- Bypass damper helps to prevent smoke-backs during loading and reloading.
- Single operation air control gives you full range of control over the burn rate (low, medium, and high)
- Huge fire viewing area with beautiful arched and rectangular door designs.
- The optional GreenStart® Igniter makes starting your insert as easy as pushing a button!



Learn More About
NexGen-Hybrid™
Technology



**GreenStart® Igniter option requires additional firebox width measured 3" from front of fireplace opening.*

SPECIFICATIONS

Heating Capacity*:	1,200 to 2,000 Square Feet
Cord Wood BTU's:	14,500 to 70,000 BTUs Per Hour
Crib Wood BTU's:	11,076 to 39,456 BTUs Per Hour
Emissions:	1.2 Grams/Hr. (Crib Wood)
HHV Overall Efficiency:**	Up to 77%
Maximum Burn Time:	Up to 10 Hours
Firebox Size:	2.2 Cubic Feet
Maximum Log Size:	24 Inches
Weight:	450 Pounds
Construction:	5/16" to 1/4" Steel Plate
Glass Viewing Area:	22-5/8" W x 10" H
	216 Sq. In. Arched Door
	227 Sq. In. Rectangular Door

* Heating capacity may vary depending on degree of home insulation, floor plan and ambient temperature zone of the area you live.

**As tested using B-415.1 using Cord Wood. HHV = High Heat Value

OPTIONS

- Insert Wiring Kit
- **GREEN START™** Igniter. Light your fire with the push of a button!

RECTANGULAR DOOR FACE OPTIONS



Universal Face
Metallic Black paint finish
33-3/8 W x 23-1/4 H



Times Square™ Face
Metallic Black paint finish
35-3/4 W x 22-1/4 H

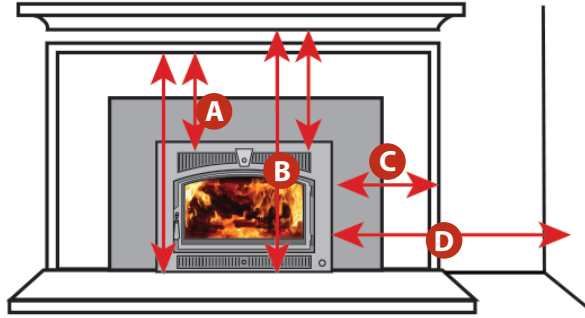


Metropolitan™ Face
Metallic Black paint finish
33-3/8" W x 23-1/4" H



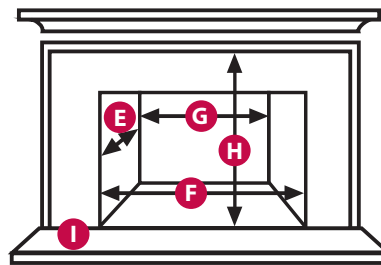
Shadowbox™ Face
Metallic Black paint finish
35-3/4" W x 22-1/8" H

CLEARANCES TO UNPROTECTED COMBUSTIBLES



	Masonry	Metal (ZC)
A = Insert Base to Mantel	41-1/2"	41-1/2"
B = Insert Base to Top Facing	39"	39"
C = Firebox Side to Side Facing	9"	9"
D = Firebox Side to Side Wall	9"	9"

SIZING YOUR FIREPLACE FOR AN INSERT



Your Fireplace Measurements

E = Depth	_____
F = Front Width	_____
G = Back Width	_____
H = Height	_____
I = Hearth Depth	_____

Please use the provided chart above to mark down your fireplace dimensions. This will assist you in determining the right insert for your fireplace.

Approved ZC Fireplaces: See the Owner's Manual for details.

ARCHED DOOR FACE OPTIONS



Wilmington™ Face
Metallic Black paint finish
35-3/8 W x 23-1/4 H



Classic Arch™ Face
Metallic Black paint finish
33-1/4" W x 23-3/4" H