



TIMELESS NORWEGIAN CRAFT

...built in Maine

GAS
PRODUCTS

CONTENTS

JØTUL GF 200 DV II LILLEHAMMER	page 8
JØTUL GF 300 DV/BV ALLAGASH	page 10
JØTUL GF 300 DV IPI ALLAGASH	page 11
JØTUL GF 400 DV/BV SEBAGO	page 12
JØTUL GF 400 DV IPI SEBAGO	page 13
JØTUL GF 500 DV PORTLAND	page 14
JØTUL GF 500 DV IPI PORTLAND	page 15
JØTUL GF 160 DV (MILLIVOLT SYSTEM)	page 16
JØTUL GF 160 DV IPI	page 18
JØTUL GF 305 DV IPI	page 20
JØTUL GF 370 DV (MILLIVOLT SYSTEM)	page 22
JØTUL GF 370 DV II IPI	page 24
JØTUL GF 520 DV (MILLIVOLT SYSTEM)	page 26
JØTUL GF 520 DV IPI	page 26
JØTUL GI 545 DV WINTER HARBOR	page 28
JØTUL GI 645 DV ASTRID	page 28
JØTUL GI 535 DV IPI NEW HARBOR	page 36
JØTUL GI 635 DV IPI NEWCASTLE	page 36
HEATING CAPACITY BY ZONE	page 44
TECHNICAL SPECIFICATIONS	page 45

Jøtul has a policy of constant improvement and upgrading. Products therefore may differ in specification, design, material or dimensions at any time without prior notice. Some settings of the photographs are for aesthetic purpose only and may not comply with installation requirements.



🇳🇴 TIMELESS NORWEGIAN CRAFT

...built in Maine

Jøtul's cast iron stoves and fireplaces have been crafted in Norway since 1853. For 170 years Jøtul has worked at mastering the art of fighting the cold.

In 2015 Jøtul expanded its operation in Maine to include production for the North American market. This is the background for our current position as market leader and the preferred choice for customers who want the best all over the world.



CAST IRON – PREFERRED BY GENERATIONS

The choice to produce our products from cast iron is exclusively based on the material's extreme high quality and durability. When operated properly gas stoves from Jøtul do not deform, the doors stay in place, and hinges and closing mechanisms remain reliable even after long-term use. In addition, spare parts extend the longevity of a Jøtul product further.

PURE HEAT FROM NORWAY

Norway is known around the world for their focus towards sustainability and the environment and we have the strictest demands regarding emissions in the world. This is why Jøtul strives to maximize fuel utilization and optimize the heating effect from all their products. This is good news for your wallet and the environment.



AWARD-WINNING TIMELESS DESIGN

Jøtul products represent functional, modern design. They are innovative, yet stand the test of time beyond short-term trends. At Jøtul, we are convinced that form should follow function, and that good design is more than meets the eye. Several of our products have been recognized with design awards.



JØTUL GF 500 DV IPI PORTLAND

MODERN CLASSIC DESIGN

A descendent of our signature best-selling Jøtul F 500 Oslo wood stove, the Jøtul GF 500 DV IPI Portland offers the same whole house heating capabilities at the push of a button.

JØTUL GF 370 DV II IPI
MODERN DESIGN



JØTUL GF 200 DV II LILLEHAMMER

Designed in collaboration with world-renowned designers and our well-regarded in-house engineers, the Jøtul GF 200 DV II Lillehammer brings into your home a touch of Scandinavian charm and warmth reminiscent of the 1994 Winter Olympics in Lillehammer, Norway.



HEATING CAPACITY BETWEEN: 100 - 800 sqft (see heating zones pg 44)
MIN/MAX HEAT INPUT: 11,400-20,000 (NG)
8,450-18,000 (LP)
VENTING: Direct vent (4" x 6 5/8")
WEIGHT APPROX: 185 lbs.
DIMENSIONS (HXWXD): 25" x 22" x 15"

ACCESSORIES: Long leg kit, brick panel kit, wall thermostat, remote control, floor bracket kit, and blower fan kit



BP



Brick Panel Kit

“CONVENIENT WARMTH WITH A
PUSH OF A BUTTON”





JØTUL GF 300 DV/BV ALLAGASH

As rugged as the wilderness waterway that bears its name, world-renowned designers and our team of in-house engineers made sure that our Jøtul GF 300 Allagash presents the perfect union of high efficiency and cast iron beauty.

HEATING CAPACITY BETWEEN: 400 - 1300 sqft (see heating zones pg 44)

MIN/MAX HEAT INPUT (DV): 14,000-26,000 (NG)
14,000-26,000 (LP)

MIN/MAX HEAT INPUT (BV): 15,000-26,000 (NG)
13,500-26,000 (LP)

VENTING: Direct vent (4" x 6 5/8") B vent (4")

WEIGHT APPROX: 200 lbs.

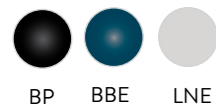
DIMENSIONS (HXWXD): 27 3/4" x 22 1/2" x 16" (DV)

DIMENSIONS (HXWXD): 27 3/4" x 22 1/2" x 16 1/2" (BV)

ACCESSORIES: Short leg kit, brick panel kit, wall thermostat, remote control, floor bracket kit, blower fan kit, top filler kit (BV only)



Brick Panel Kit



BP BBE LNE

JØTUL GF 300 DV IPI ALLAGASH

The Jøtul GF 300 DV IPI Allagash combines modern classic cast iron design with state of the art combustion technology. Fueled by the new JøtulBurner™, the Jøtul GF 300 presents the perfect union of high efficiency and timeless design.

HEATING CAPACITY BETWEEN: 400 - 1300 sqft (see heating zones pg 44)

MIN/MAX HEAT INPUT: 15,000-26,000 (NG)
12,000-24,000 (LP)

VENTING: Direct vent (4" x 6 5/8")

WEIGHT APPROX: 200 lbs.

DIMENSIONS (HXWXD): 27 3/4" x 22 1/2" x 16"

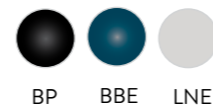
ACCESSORIES: Multifunction Proflame 2 remote, flame modulation kit, wall thermostat, top firing accent light, blower fan kit, reversible brick panel kit, and short leg kit



Antique Red Brick
Panel Kit



Brownstone Brick
Panel Kit



BP BBE LNE



JØTUL GF 400 DV/BV SEBAGO

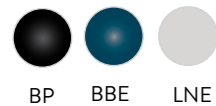
World-renowned designers, in collaboration with our well-regarded in-house engineers, created this Vesta Design and Technology Award finalist with beauty and high efficiency operation in mind. With a hand crafted log set and double door design, this stove demonstrates why Jøtul is widely recognized as the cast iron leader in quality and craftsmanship.

HEATING CAPACITY BETWEEN (DV): 700 - 2000 sqft (see heating zones pg 44)
 MIN/MAX HEAT INPUT BETWEEN (DV): 18,000-32,000 (NG)
 16,000-32,000 (LP)

HEATING CAPACITY BETWEEN (BV): 800 - 2200 sqft (see heating zones pg 44)
 MIN/MAX HEAT INPUT (BV): 22,000-40,000 (NG)
 20,000-40,000 (LP)

VENTING: Direct vent (4" x 6 5/8") B vent (4")
 WEIGHT APPROX: 250 lbs.
 DIMENSIONS (HXWXD): 28 1/2" x 26 1/2" x 18" (DV)
 DIMENSIONS (HXWXD): 28 1/2" x 26 1/2" x 20 1/2" (BV)

ACCESSORIES: Brick panel kit, wall thermostat, remote control, floor bracket kit, blower fan kit, and short leg kit



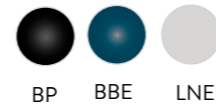
Brick Panel Kit

JØTUL GF 400 DV IPI SEBAGO

Beauty and efficient operation come alive together with the Jøtul GF 400 DV IPI Sebago. Handsomely detailed in cast iron, this stove's nautical styling recalls the coves and shores of Lake Sebago, locked amid the rock and pines of Maine.

HEATING CAPACITY BETWEEN: 700 - 2000 sqft (see heating zones pg 44)
 MIN/MAX HEAT INPUT: 17,000-32,000 (NG)
 14,000-30,000 (LP)
 VENTING: Direct vent (4" x 6 5/8")
 WEIGHT APPROX: 260 lbs.
 DIMENSIONS (HXWXD): 28 1/2" x 26 1/2" x 18"

ACCESSORIES: Multifunction Proflame 2 remote, flame modulation kit, wall thermostat, top firing accent light, blower fan kit, reversible brick panel kit, and short leg kit



Antique Red Brick
 Panel Kit



Brownstone Brick
 Panel Kit



JØTUL GF 500 DV PORTLAND

A descendent of our signature best-selling Jøtul F 500 Oslo wood stove, the Jøtul GF 500 DV Portland offers the same whole house heating capabilities at the push of a button. Fueled by the new dual JøtulBurner™ IV, the Jøtul GF 500 presents the perfect union of high efficiency and timeless cast iron design.

HEATING CAPACITY BETWEEN: 800 - 2200 sqft (see heating zones pg 44)
 MIN/MAX HEAT INPUT: 12,800-40,000 (NG)
 14,000-39,500 (LP)
 VENTING: Direct vent (4" x 6 5/8")
 WEIGHT APPROX: 335 lbs.
 DIMENSIONS (HXWXD): 30" x 27 3/4" x 20"

ACCESSORIES: Reversible brick panel kit, remote control, wall thermostat, floor bracket kit, blower fan kit, and short leg kit



Antique Red Brick
Panel Kit



Brownstone Brick
Panel Kit



BP



JØTUL GF 500 DV IPI PORTLAND

A descendent of our signature best-selling Jøtul F 500 Oslo wood stove, the Jøtul GF 500 DV IPI Portland offers the same whole house heating capabilities at the push of a button. Fueled by the new dual JøtulBurner™ IV, the Jøtul GF 500 presents the perfect union of high efficiency and timeless cast iron design.

HEATING CAPACITY BETWEEN: 800 - 2200 sqft (see heating zones pg 44)
 MIN/MAX HEAT INPUT: 12,800-40,000 (NG)
 14,000-39,500 (LP)
 VENTING: Direct vent (4" x 6 5/8")
 WEIGHT APPROX: 335 lbs.
 DIMENSIONS (HXWXD): 30" x 27 3/4" x 20"

ACCESSORIES: Multifunction Proflame 2 remote, reversible brick panel kit, top firing accent light, flame modulation kit, wall thermostat, floor bracket kit, blower fan kit, and short leg kit



Antique Red Brick
Panel Kit



Brownstone Brick
Panel Kit



BP



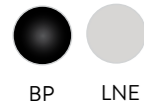
JØTUL GF 160 DV (MILLIVOLT SYSTEM)

The elegant three-sided glass design of our new Jøtul GF 160 DV gas stove will give you an excellent view of the fire from any angle. With no electricity required to operate the stove, the Jøtul GF 160 DV is the perfect heater for those dark and stormy nights. Choice of required media includes Traditional Logs, Beach Fire, River Rocks, Tumbled Stones, Black Glass, and White Starfire Glass.

HEATING CAPACITY BETWEEN: 200 - 1000 sqft (see heating zones pg 44)
 MIN/MAX HEAT INPUT: 15,800-24,000 (NG)
 19,800-24,000 (LP)
 VENTING: Direct vent (4" x 6 5/8")
 WEIGHT APPROX: 260 lbs.
 DIMENSIONS (HXWXD): 35 1/2" x 17 3/4" x 17 3/4"

ACCESSORIES: Wall Thermostat, remote control, Skamol or black reflective glass panel kit.

* Blower and accent lighting kits not available



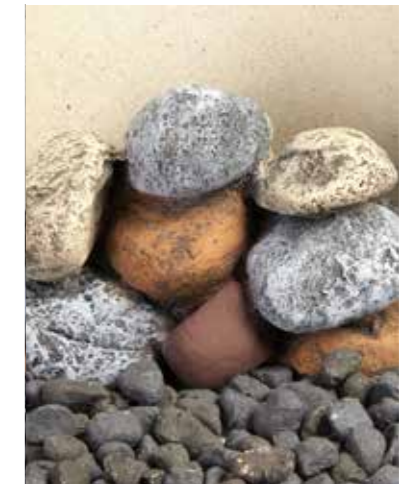
JØTUL GF 160 DV BURNER MEDIA & LINER OPTIONS



Traditional Logs



Beach Fire Logs



River Rocks



Tumbled Stones



White Starfire Glass



Black Glass



Black Reflective
Glass Panel Kit



Skamol
Panel Kit

Easily transform your Jøtul GF 160 DV into a work of art with our choice of burner media and liner options. Choose from Traditional Logs, Beach Fire, River Rocks burner media, Tumbled Stones burner media, Black or White Starfire Glass burner media, Skamol Panel Kit or Black Reflective Glass Panel Kit.

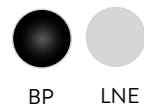


JØTUL GF 160 DV IPI

Inspired by the immensely popular Jøtul GF 370, the compact Jøtul GF 160 DV IPI offers the same spectacular three-sided fire view, but with a truly unique tripod base. A modern design marvel, the Jøtul GF 160 DV IPI strikes the perfect balance between form and functionality. Standard features include Multifunction Proflame 2 remote with flame control, accent light and blower fan. Choice of required media includes Traditional Logs, Beach Fire, River Rocks, Tumbled Stones, Black Glass, and White Starfire Glass.

HEATING CAPACITY BETWEEN: 200 - 1000 sqft (see heating zones pg 44)
 MIN/MAX HEAT INPUT: 15,800-24,000 (NG)
 19,800-24,000 (LP)
 VENTING: Direct vent (4" x 6 5/8")
 WEIGHT APPROX: 260 lbs.
 DIMENSIONS (HXWXD): 35 1/2" x 17 3/4" x 17 3/4"

ACCESSORIES: Skamol or black reflective glass panel kit



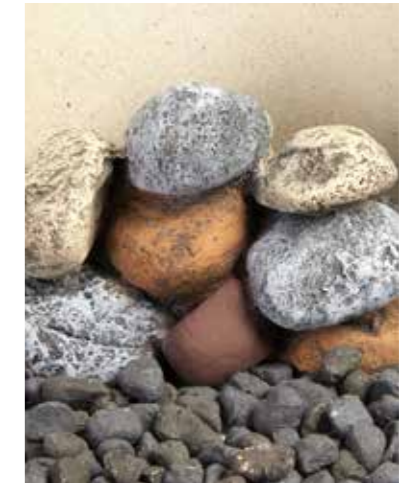
JØTUL GF 160 DV IPI BURNER MEDIA & LINER OPTIONS



Traditional Logs



Beach Fire Logs



River Rocks



Tumbled Stones



White Starfire Glass



Black Glass



Black Reflective
Glass Panel Kit



Skamol
Panel Kit

Easily transform your Jøtul GF 160 DV IPI into a work of art with our choice of burner media and liner options. Choose from Traditional Logs, Beach Fire, River Rocks burner media, Tumbled Stones burner media, Black or White Starfire Glass burner media, Skamol Panel Kit or Black Reflective Glass Panel Kit.



JØTUL GF 305 DV IPI

The Jøtul Group has earned a worldwide reputation for producing award winning cast iron stoves. Based on the Jøtul F 305 woodstove, the Jøtul GF 305 DV IPI offers the same contemporary cast iron styling in a freestanding direct vent gas stove. Smooth cast iron lines and sleek curves frame an extra-large fire view that only Jøtul can produce. Fueled by the new ceramic JøtulBurner™ III, the Jøtul GF 305 presents the perfect union of high efficiency and modern cast iron design. Choice of required media includes Traditional Logs, or Beach Fire.

HEATING CAPACITY BETWEEN: 400 - 1300 sqft (see heating zones pg 44)
 MIN/MAX HEAT INPUT: 18,707-28,000 (NG)
 22,370-28,000 (LP)
 VENTING: Direct vent (4" x 6 5/8")
 WEIGHT APPROX: 257 lbs.
 DIMENSIONS (HXWXD): 33 3/8" x 21 3/4" x 16 1/4"

ACCESSORIES: Black fluted, gray slate, or reflective glass panel kit, multifunction Proflame 2 remote, flame modulation control kit, top firing accent light kit, and blower kit



JØTUL GF 305 DV IPI BURNER MEDIA & LINER OPTIONS



Beach Fire
 Burner Media



Traditional Logs
 Burner Media



Black Reflective
 Glass Panel Kit



Black Fluted
 Panel Kit



Gray Slate
 Panel Kit

Easily transform your Jøtul GF 305 DV IPI into a work of art with our choice of media and liner options. Choose from Traditional Log burner media, Beach Fire burner media, Black Reflective Glass Panel Kit, Black Fluted Panel Kit or Gray Slate Panel Kit.



JØTUL GF 370 DV (MILLIVOLT SYSTEM)

With no electricity required to operate and a modern three-sided fire view, the new Jotul GF 370 DV is the perfect blend of form and functionality. Standard Skamol lined firebox.

Choice of required media includes Traditional Logs, Beach Fire, River Rocks, Tumbled Stones, Black Glass, and White Starfire Glass

HEATING CAPACITY BETWEEN: 400 - 1300 sqft (see heating zones pg 44)

MIN/MAX HEAT INPUT: 18,170-28,000 (NG)
20,750-24,000 (LP)

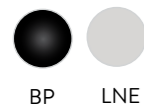
VENTING: Direct vent (4" x 6 5/8")

WEIGHT APPROX: 310 lbs.

DIMENSIONS (HXWXD): 45 1/2" x 18 1/4" x 17 7/8"

ACCESSORIES: Wall thermostat, remote control, black reflective glass panel kit.

* Blower and accent lighting kits not available



BP

LNE

JØTUL GF 370 DV BURNER MEDIA & LINER OPTIONS



Traditional Logs



Beach Fire Logs



River Rocks



Tumbled Stones



White Starfire Glass



Black Glass



Black Reflective
Glass Panel Kit

Easily transform your Jotul GF 370 DV into a work of art with our choice of burner media and liner options.

Choose from Traditional Logs, Beach Fire, River Rocks burner media, Tumbled Stones burner media, Black or White Starfire Glass burner media, or Black Reflective Glass Panel Kit.

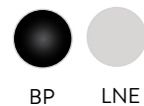


JØTUL GF 370 DV II IPI

With its modern design and elegant three-sided fire view, the Jøtul GF 370 DV II IPI utilizes the new JøtulBurner™ III to create an exceptional fire view from any angle. Standard features include Multifunction Proflame 2 remote with flame control, accent light, blower fan and skamol firebox liner. Choice of required media includes Traditional Logs, Beach Fire, River Rocks, Tumbled Stones, Black Glass, and White Starfire Glass

HEATING CAPACITY BETWEEN: 400 - 1300 sqft (see heating zones pg 44)
 MIN/MAX HEAT INPUT: 18,170-28,000 (NG)
 20,750-24,000 (LP)
 VENTING: Direct vent (4" x 6 5/8")
 WEIGHT APPROX: 310 lbs.
 DIMENSIONS (HXWXD): 45 1/2" x 18 1/4" x 17 7/8"

ACCESSORIES: Black reflective glass panel kit



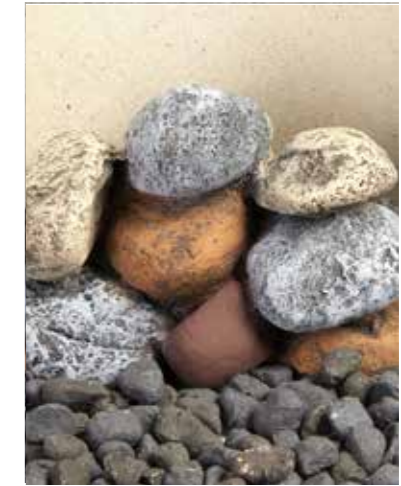
JØTUL GF 370 DV II IPI BURNER MEDIA & LINER OPTIONS



Traditional Logs



Beach Fire Logs



River Rocks



Tumbled Stones



White Starfire Glass



Black Glass



Black Reflective Glass Panel Kit

Easily transform your Jøtul GF 370 DV II IPI into a work of art with our choice of burner media and liner options. Choose from Traditional Logs, Beach Fire, River Rocks burner media, Tumbled Stones burner media, Black or White Starfire Glass burner media, or Black Reflective Glass Panel Kit.

JØTUL GF 520 DV (MILLIVOLT SYSTEM)

The Jøtul GF 520 DV gas stove offers an elegant addition to your home with its modern and clean cast iron design. It features a handcrafted 5-piece Beach Fire log set (required, ordered separately) that adds to its unique aesthetic. The stove's three-sided glass provides an optimal fire view from any angle. With its energy efficiency, durability, and beauty, this heating solution will bring warmth to your home for many years.

HEATING CAPACITY BETWEEN: 700 - 1,800 sqft (see heating zones pg 44)
 MIN/MAX HEAT INPUT: 16,500-30,000 (NG)
 16,500-29,000 (LP)
 VENTING: Direct vent (4" x 6 5/8")
 WEIGHT APPROX: 270 lbs.
 DIMENSIONS (HXWXD): 39" x 23 3/8" x 17 1/2"

ACCESSORIES: Variable speed blower, remote control, wall thermostat, black reflective or black fluted panel kit.



Black Reflective
Glass Panel Kit



Black Fluted
Panel Kit



BP

JØTUL GF 520 DV IPI

The Jøtul GF 520 DV IPI gas stove showcases a sophisticated design and durable cast iron construction, rendering it an elegant and timeless complement to any space. Its three-sided glass and meticulously crafted Beach Fire log set (required, ordered separately) elevate its distinct visual appeal. Engineered for energy efficiency and steadfast performance, this stove guarantees a dependable heating solution for many years. Standard features include Multifunction Proflame 2 remote with flame control, accent light, and blower.

HEATING CAPACITY BETWEEN: 700 - 1,800 sqft (see heating zones pg 44)
 MIN/MAX HEAT INPUT: 16,500-30,000 (NG)
 16,500-29,000 (LP)
 VENTING: Direct vent (4" x 6 5/8")
 WEIGHT APPROX: 270 lbs.
 DIMENSIONS (HXWXD): 39" x 23 3/8" x 17 1/2"

ACCESSORIES: Black reflective or black fluted panel kit.



Black Reflective
Glass Panel Kit



Black Fluted
Panel Kit



BP



JØTUL GI 545 DV WINTER HARBOR

With its contemporary styling and nod to tradition, the Jøtul GI 545 DV Winter Harbor is well suited to fit any interior. Featuring reliable millivolt gas controls, a choice of two firebox options (standard blower or optional blower), multiple burner media options, and cast iron or steel overlay choices, this fireplace insert combines Jøtul's connection to old world craftsmanship and modern technology.

HEATING CAPACITY BETWEEN: 600 - 1,800 sqft (see heating zones pg 44)
 MIN/MAX HEAT INPUT: 16,000-30,000 (NG)
 13,500-28,000 (LP)
 VENTING: Direct vent co-linear 3" x 3"
 GLASS VIEWING AREA: 28 5/8" x 14 7/8"
 WEIGHT APPROX: 163 lbs.

ACCESSORIES: Choice of four interior panel kits, blower (for blower optional unit), remote control, wall thermostat, and mantle heatshield

Choice of required overlays
 Cast iron overlay
 35 7/8" W x 22 5/8" H
 Rectangle steel overlay
 34 3/8" W x 22 5/8" H
 Arch steel overlay
 34 3/8 W' x 24 H"
3 - Sided backer frame sizes
 40" W x 26" H
 41" W x 28" H
 42" W x 30" H
3 - Sided trimable backer frame size
 46" W x 34" H
4 - Sided trimable backer frame size
 46" W x 34" H

JØTUL GI 645 DV ASTRID

The new Jøtul GI 645 DV Astrid will turn any existing fireplace into a sophisticated source of heat in the blink of an eye. Featuring reliable millivolt gas controls, standard blower, multiple burner media options, and cast iron or steel overlay choices, this fireplace insert's strong clean lines frame the striking radiance of a fire that mimics the dance and glow of a traditional wood fire.

HEATING CAPACITY BETWEEN: 800 - 2200 sqft (see heating zones pg 44)
 MIN/MAX HEAT INPUT: 38,000-21,000 (NG)
 36,500-20,000 (LP)
 VENTING: Direct vent co-linear 3" x 3"
 GLASS VIEWING AREA: 30 5/8" x 17 1/8"
 WEIGHT APPROX: 175 lbs.

ACCESSORIES: Choice of four interior panel kits, remote control, wall thermostat, and mantle heatshield

Choice of required overlays
 Cast iron overlay
 39 7/8" W x 26 5/8" H
 Rectangle steel overlay
 38 3/8" W x 26 1/2" H
 Arch steel overlay
 38 3/8" W x 28" H
3 - Sided backer frame sizes
 44" W x 30" H
 45" W x 32" H
 46" W x 34" H
3 - Sided trimable backer frame size
 47 3/4" W x 38" H
4 - Sided trimable backer frame size
 47 3/4" W x 38" H

GI 545 AND GI 645 BURNER MEDIA OPTIONS



GI 545 Traditional Logs



GI 545 Beach Fire



GI 645 Traditional Logs



GI 645 Beach Fire



GI 545 Birch Logs



GI 645 Birch Logs

JØTUL GI 545/645 OVERLAY & LINER OPTIONS



Cast iron overlay with steel backer frame. Shown in Matte Black Paint with Traditional Red Brick Panel Kit



Cast iron overlay with steel backer frame. Shown in Blue Black Enamel with Traditional Red Brick Panel Kit

Overlay Color Options



Rectangle steel overlay with steel backer frame. Shown in Bronze with Traditional Red Brick Panel Kit



Rectangle steel overlay with steel backer frame. Shown in Jøtul Iron with Traditional Red Brick Panel Kit



Rectangle steel overlay with steel backer frame. Shown in Matte Black Paint with Traditional Red Brick Panel Kit



Arched steel overlay with steel backer frame. Shown in Bronze with Brownstone Brick Panel Kit



Arched steel overlay with steel backer frame. Shown in Jøtul Iron with Brownstone Brick Panel Kit



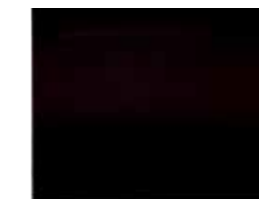
Arched steel overlay with steel backer frame. Shown in Matte Black Paint with Brownstone Brick Panel Kit



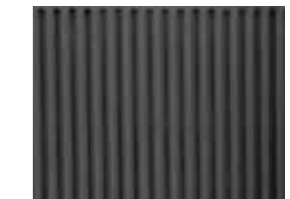
Traditional Red Brick Panel Kit



Brownstone Brick Panel Kit



Black Reflective Glass Panel Kit



Black Fluted Panel Kit



JØTUL GI 545 DV WINTER HARBOR

The Jøtul GI 545 DV Winter Harbor, shown with a Jøtul Iron rectangle steel overlay and backer panel, will accent a variety of decor choices. Shown with Birch log set and optional Black Reflective panel kit.



JØTUL GI 645 DV ASTRID

The Jøtul GI 645 DV Astrid, shown with Matte Black cast iron overlay and steel backer panel, will add rich warmth to any decor. Shown with Traditional log set and optional Traditional Red Brick panel kit.



JØTUL GI 545 DV WINTER HARBOR

The Jøtul GI 545 DV Winter Harbor, shown with Matte Black cast iron overlay and steel backer panel fits both contemporary or modern decor. Shown with Traditional log set and optional Brownstone Brick panel kit.



JØTUL GI 645 DV ASTRID

The Jøtul GI 645 DV Astrid, shown with the Matte Black powder coated arched steel front and backer panel, will accent a variety of decor choices. Shown with Beach Fire log set.

JØTUL GI 535 DV IPI NEW HARBOR

Inspired by the quaint coastal town of New Harbor, Maine, the Jøtul GI 535 DV IPI New Harbor combines time honored craftsmanship with modern design. Featuring IPI electronic ignition, dual ceramic JøtulBurner™III, battery backup, Multifunction Proflame 2 remote with flame control, blower fan, and top firing accent lights, the Jøtul GI 535 DV IPI New Harbor is the perfect fit for any medium size fireplace.

HEATING CAPACITY BETWEEN: 700 - 2000 sqft (see heating zones pg 44)
 MIN/MAX HEAT INPUT: 11,500-32,000 (NG)
 11,000-31,500 (LP)
 VENTING: Direct vent co-linear 3" x 3"
 GLASS VIEWING AREA: 23 3/4" x 15 1/2"
 WEIGHT APPROX: 156 lbs.

ACCESSORIES: Four interior panel kits

Choice of required overlays

Cast iron overlay
 30 3/4" W x 21 5/8" H
 Rectangle steel overlay
 30 3/4" W x 21 1/8" H
 Arch steel overlay
 30 3/4" W x 22 5/8" H
 3 - Sided backer frame sizes
 36" W x 24 1/4" H
 38" W x 28" H
 40" W x 30" H
 3 - Sided trimable backer frame size
 46" W x 34" H
 4 - Sided trimable backer frame size
 46" W x 34" H

JØTUL GI 635 DV IPI NEWCASTLE

The Jøtul GI 635 DV IPI Newcastle gas insert is the perfect blend of modern cast iron and traditional charm. Featuring IPI electronic ignition, dual ceramic JøtulBurner™III, battery backup, Multifunction Proflame 2 remote with flame control, blower fan, and top firing accent lights, the Jøtul GI 635 DV IPI Newcastle will easily turn your hearth into the centerpiece of your home.

HEATING CAPACITY BETWEEN: 800 - 2200 sqft (see heating zones pg 44)
 MIN/MAX HEAT INPUT: 10,000-40,000 (NG)
 8,700-40,000 (LP)
 VENTING: Direct vent co-linear 3" x 3"
 GLASS VIEWING AREA: 27 3/4" x 19 1/2"
 WEIGHT APPROX: 172 lbs.

ACCESSORIES: Four interior panels kits

Choice of required overlays

Cast iron overlay
 34 3/4" W x 25 5/8" H
 Rectangle steel overlay
 34 3/4" W x 25 1/8" H
 Arch steel overlay
 34 3/4" W x 26 15/16" H
 3 - Sided backer frame sizes
 40" W x 28 1/4" H
 42" W x 31" H
 46" W x 34" H
 3 - Sided trimable backer frame size
 47 3/4" W x 38" H
 4 - Sided trimable backer frame size
 47 3/4" W x 38" H

GI 535 AND GI 635 BURNER MEDIA OPTIONS



GI 535 Traditional Logs



GI 535 Beach Fire



GI 635 Traditional Logs



GI 635 Beach Fire

JØTUL GI 535/635 OVERLAY & LINER OPTIONS



Cast iron overlay with steel backer frame. Shown in Matte Black Paint with Brownstone Brick Panel Kit

Overlay Color Options

Cast Iron



BP

Steel Powder Coat



BRONZE



JØTUL IRON



MATTE BLACK



Rectangle steel overlay with steel backer frame. Shown in Bronze with Reflective Panel Kit



Rectangle steel overlay with steel backer frame. Shown in Jøtul Iron with Reflective Panel Kit



Rectangle steel overlay with steel backer frame. Shown in Matte Black with Reflective Panel Kit



Arch steel overlay with steel backer frame. Shown in Bronze with Brownstone Brick Panel Kit



Arch steel overlay with steel backer frame. Shown in Jøtul Iron with Reflective Panel Kit



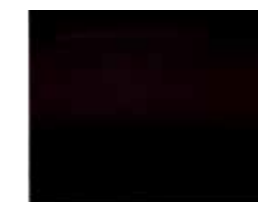
Arch steel overlay with steel backer frame. Shown in Matte Black with Traditional Red Brick Panel Kit



Traditional Red Brick Panel Kit



Brownstone Brick Panel Kit



Black Reflective Glass Panel Kit



Black Fluted Panel Kit



JØTUL GI 535 DV IPI NEW HARBOR

The Jøtul GI 535 DV IPI New Harbor combines time honored craftsmanship with modern design, creating a warm and welcoming centerpiece for any living space. Shown with Traditional log set, Matte Black Paint cast iron overlay with steel backer, and optional Traditional Red Brick panel kit.



JØTUL GI 635 DV IPI NEWCASTLE

The Jøtul GI 635 DV IPI Newcastle is a perfect blend of classic cast iron and modern design. Quickly turn any fireplace into a work of art that will heat your home with a push of a button. Shown with Traditional log set, Matte Black cast iron overlay and optional Black Reflective panel kit.



JØTUL GI 535 DV IPI NEW HARBOR

The simple, but elegant, Matte Black powder coated steel arched front and backer panel will transform the Jøtul GI 535 DV IPI New Harbor into a modern focal point of your living area. Shown with Traditional log set, and optional Traditional Red Brick panel kit.



JØTUL GI 535 DV IPI NEW HARBOR

Framing the realistic fire of the Jøtul GI 535 DV IPI New Harbor, the Jøtul Iron powder coated steel rectangular front and backer panel will easily blend in with any decor. Shown with Beach Fire log set and optional Black Fluted panel kit.



JØTUL GI 635 DV IPI NEWCASTLE

The sleek rectangle of the Bronze powder coated steel front and backer panel for the Jøtul GI 635 DV IPI Newcastle allows for an uninterrupted view of the natural glowing fire. Shown with Traditional log set and optional Black Reflective panel kit.



JØTUL GI 635 DV IPI NEWCASTLE

The Jøtul GI 635 DV IPI Newcastle, shown with the Matte Black powder coated arched steel front and backer panel, will accent a variety of decor choices. Shown with Beach Fire log set and optional Black Fluted panel kit.

HEATING ZONES

HEATING CAPACITY BY ZONE

Jøtul Gas Stoves & Inserts

US & Canada Heat Capacity by Zone

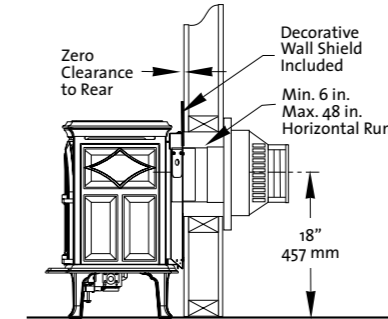


This heating capacity zone chart is to be used as a guideline only. Square footage measurements may differ due to climate, building construction, and location of stove. Heating capacity on the product page is based on Zone 4.

Model	Min/Max Input (BTU/Hr)	Zone 1 (sq. ft.)	Zone 2 (sq. ft.)	Zone 3 (sq. ft.)	Zone 4 (sq. ft.)	Zone 5 (sq. ft.)	Zone 6 (sq. ft.)
Jøtul GF 200 Lillehammer	11 - 20,000	100	200	400	600	700	800
Jøtul GF 300 Allagash	14 - 26,000	400	600	800	1000	1200	1300
Jøtul GF 400 DV Sebago	18 - 32,000	700	1000	1200	1400	1600	2000
Jøtul GF 400 BV Sebago	22 - 40,000	800	1200	1400	1600	1800	2200
Jøtul GF 500 Portland	13 - 40,000	800	1200	1400	1600	1800	2200
Jøtul GF 160	15 - 24,000	200	300	500	800	900	1000
Jøtul GF 305 DV IPI	18 - 28,000	400	600	800	1000	1200	1300
Jøtul GF 370	18 - 28,000	400	600	800	1000	1200	1300
Jøtul GF 520	16 - 30,000	700	1000	1200	1400	1600	1800
Jøtul GI 535 DV IPI New Harbor	11 - 32,000	700	1000	1200	1400	1600	2000
Jøtul GI 635 DV IPI Newcastle	10 - 40,000	800	1200	1400	1600	1800	2200
Jøtul GI 545 DV Winter Harbor	13 - 30,000	600	800	1000	1200	1400	1800
Jøtul GI 645 DV Astrid	20 - 38,000	800	1000	1400	1600	1800	2200

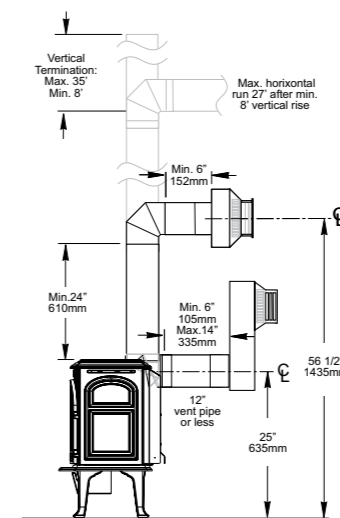
TECHNICAL DIMENSIONS

JØTUL GF 200 DV II LILLEHAMMER - Page 8



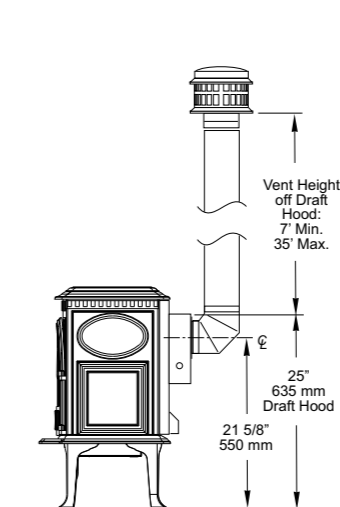
Heating Capacity ¹	100 - 800 sq. ft.
Min/Max Heat Input (BTU/hr)	11,400-20,000 (NG) 8,450-18,000 (LP)
Efficiency Steady State	75.05%
EnerGuide Rating ⁵ (DV MV Canada)	73.63% (NG) 72.14% (LP)
Venting	4" x 6 5/8"
Dimensions	
Stove Height	25"
Stove Height w/ opt. long legs	27 1/4"
Leg Width	22"
Depth ²	15"
Clearances	
Rear	0" (zero clearance)
Side	3"
Corner	2"
Refer to manual for additional measurements and clearances	

JØTUL GF 300 DV ALLAGASH - Page 10



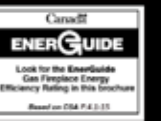
Heating Capacity ¹	400 - 1300 sq.ft.
Min/Max Heat Input (BTU/hr)	14,000-26,000 (NG) 14,000-26,000 (LP)
Efficiency Steady State	75.30%
EnerGuide Rating ⁵ (DV MV Canada)	66.27% (NG) 66.27% (LP)
Venting	4" x 6 5/8"
Dimensions	
Stove Height	27 3/4"
Stove Height w/ opt. short legs	25 1/2"
Leg Width	22 1/2"
Depth ²	16"
Clearances	
Rear	2"
Side	3"
Corner	2"
Refer to manual for additional measurements and clearances	

JØTUL GF 300 BV ALLAGASH - Page 10



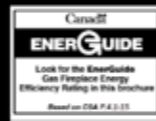
Heating Capacity ¹	400 - 1300 sq.ft.
Min/Max Heat Input (BTU/hr)	15,000-26,000 (NG) 13,500-26,000 (LP)
Efficiency Steady State	82.31%
EnerGuide Rating ⁵ (BV MV Canada)	61.12% (NG) 61.12% (LP)
Venting	4"
Dimensions	
Stove Height	27 3/4"
Stove Height w/ opt. short legs	25 1/2"
Leg Width	22 1/2"
Depth ²	16 1/2"
Clearances	
Rear	2"
Side	3"
Corner	3"
Refer to manual for additional measurements and clearances	

1. Heating Capacity will vary depending on the design of the home, climate, elevation, operation and venting configuration. See Zone chart on page 44.
2. Depth is front of stove to back of shroud.
3. Dimensions can vary depending on installation variables. See manuals for exact specifications.
4. All Jøtul gas stoves and fireplaces include approved fire safety screen
5. Conforms to Amendment 15 of Canada's Energy Efficiency Regulations



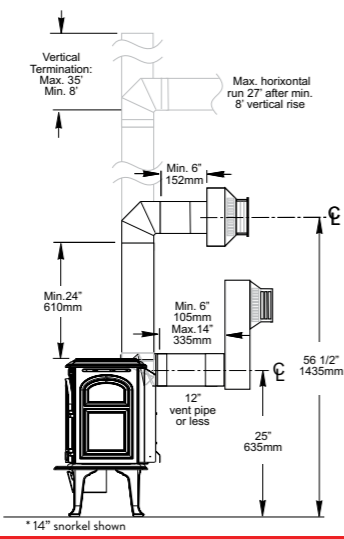
General note for all stoves and fireplaces

1. Heating Capacity will vary depending on the design of the home, climate, elevation, operation and venting configuration. See Zone chart on page 44.
2. Depth is front of stove to back of shroud.
3. Dimensions can vary depending on installation variables. See manuals for exact specifications.
4. All Jøtul gas stoves and fireplaces include approved fire safety screen
5. Conforms to Amendment 15 of Canada's Energy Efficiency Regulations



TECHNICAL DIMENSIONS

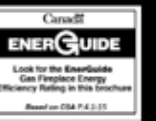
JØTUL GF 300 DV IPI ALLAGASH - Page 11



Heating Capacity ¹	400 - 1300 sq.ft.
Min/Max Heat Input (BTU/hr)	15,000-26,000 (NG) 12,000-24,000 (LP)
Efficiency Steady State	73.57%
EnerGuide Rating (DV Canada)	69.23% (NG) 69.99% (LP)
Venting	4" x 6 5/8"
Dimensions	
Stove Height	27 3/4"
Stove Height w/ opt. short legs	25 1/2"
Leg Width	22 1/2"
Depth ²	16"
Clearances	
Rear	2"
Side	3"
Corner	2"
Refer to manual for additional measurements and clearances	

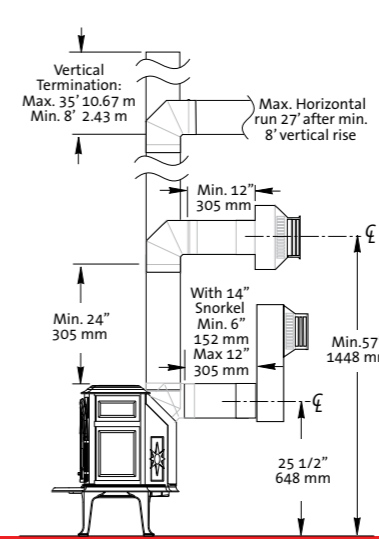
General note for all stoves and fireplaces

1. Heating Capacity will vary depending on the design of the home, climate, elevation, operation and venting configuration. See Zone chart on page 44.
2. Depth is front of stove to back of shroud.
3. Dimensions can vary depending on installation variables. See manuals for exact specifications.
4. All Jøtul gas stoves and fireplaces include approved fire safety screen
5. Conforms to Amendment 15 of Canada's Energy Efficiency Regulations



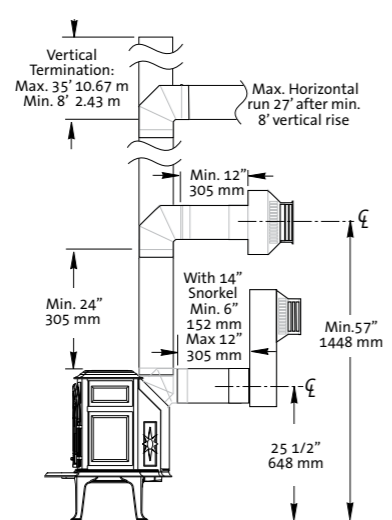
TECHNICAL DIMENSIONS

JØTUL GF 400 DV IPI SEBAGO - Page 13



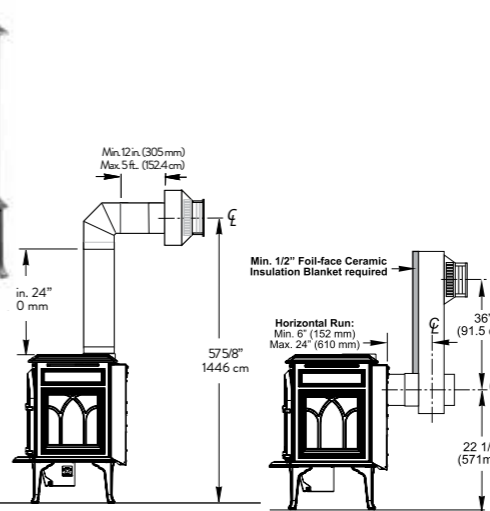
Heating Capacity ¹	700 - 2000 sq.ft.
Min/Max Heat Input (BTU/hr)	17,000-32,000 (NG) 14,000-30,000 (LP)
Efficiency Steady State	77.02%
EnerGuide Rating (DV Canada)	68.19% (NG) 67.69% (LP)
Venting	4" x 6 5/8"
Dimensions	
Stove Height	28 1/2"
Stove Height w/ opt. short legs	26 1/4"
Leg Width	26 1/2"
Depth ²	18"
Clearances	
Rear	2"
Side	3"
Corner	2"
Refer to manual for additional measurements and clearances	

JØTUL GF 400 DV SEBAGO - Page 12



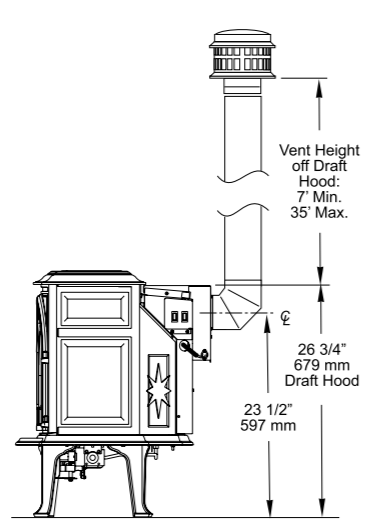
Heating Capacity ¹	700 - 2000 sq.ft.
Min/Max Heat Input (BTU/hr)	18,000-32,000 (NG) 16,000-32,000 (LP)
Efficiency Steady State	75.60%
EnerGuide Rating ⁵ (DV MV Canada)	63.18% (NG) 63.18% (LP)
Venting	4" x 6 5/8"
Dimensions	
Stove Height	28 1/2"
Stove Height w/ opt. short legs	26 1/4"
Leg Width	26 1/2"
Depth ²	18"
Clearances	
Rear	2"
Side	3"
Corner	2"
Refer to manual for additional measurements and clearances	

JØTUL GF 500 DV PORTLAND - Page 14



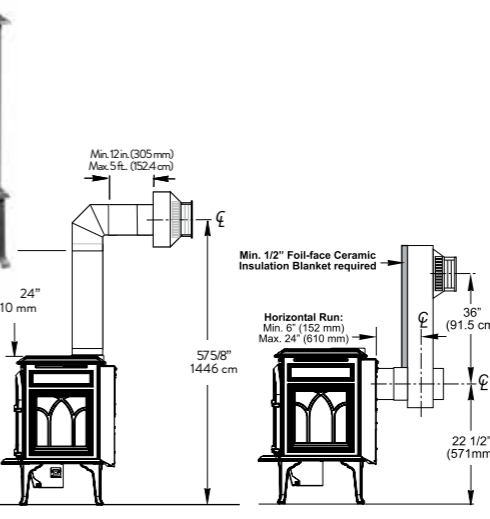
Heating Capacity ¹	800 - 2200 sq.ft.
Min/Max Heat Input (BTU/hr)	12,800-40,000 (NG) 14,000-39,500 (LP)
Efficiency Steady State	74.26%
EnerGuide Rating ⁵ (DV MV Canada)	76.01% (NG) 76.52% (LP)
Venting	4" x 6 5/8"
Dimensions	
Stove Height	30"
Stove Height w/ opt. short legs	27 3/4"
Leg Width	27 3/4"
Depth ²	20"
Clearances	
Rear	1 1/2"
Side	2"
Corner	2"
Refer to manual for additional measurements and clearances	

JØTUL GF 400 BV SEBAGO - Page 12



Heating Capacity ¹	800 - 2200 sq.ft.
Min/Max Heat Input (BTU/hr)	22,000-40,000 (NG) 20,000-40,000 (LP)
Efficiency Steady State	82.56%
EnerGuide Rating ⁵ (BV MV Canada)	64.74% (NG) 64.74% (LP)
Venting	4"
Dimensions	
Stove Height	28 1/2"
Stove Height w/ opt. short legs	26 1/4"
Leg Width	26 1/2"
Depth ²	20 1/2"
Clearances	
Rear	3"
Side	3"
Corner	3"
Refer to manual for additional measurements and clearances	

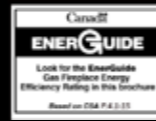
JØTUL GF 500 DV IPI PORTLAND - Page 15



Heating Capacity ¹	800 - 2200 sq.ft.
Min/Max Heat Input (BTU/hr)	12,800-40,000 (NG) 14,000-39,500 (LP)
Efficiency Steady State	74.76%
EnerGuide Rating (DV Canada)	76.01% (NG) 76.52% (LP)
Venting	4" x 6 5/8"
Dimensions	
Stove Height	30"
Stove Height w/ opt. short legs	27 3/4"
Leg Width	27 3/4"
Depth ²	20"
Clearances	
Rear	1 1/2"
Side	2"
Corner	2"
Refer to manual for additional measurements and clearances	

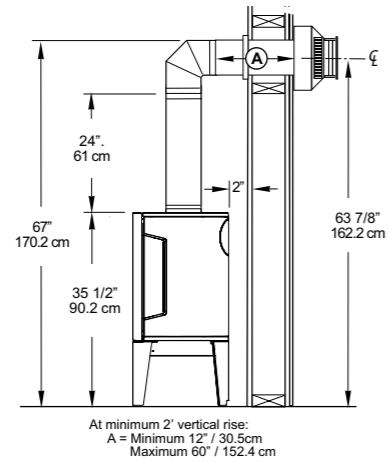
General note for all stoves and fireplaces

1. Heating Capacity will vary depending on the design of the home, climate, elevation, operation and venting configuration. See Zone chart on page 44.
2. Depth is front of stove to back of shroud.
3. Dimensions can vary depending on installation variables. See manuals for exact specifications.
4. All Jøtul gas stoves and fireplaces include approved fire safety screen.
5. Conforms to Amendment 15 of Canada's Energy Efficiency Regulations.



TECHNICAL DIMENSIONS

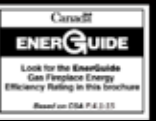
JØTUL GF 160 DV MILLIVOLT SYSTEM - Page 16



Heating Capacity ¹	200 - 1000 sq.ft.
Min/Max Heat Input (BTU/hr)	15,800-24,000 (NG) 19,800-24,000 (LP)
Efficiency Steady State	73.91%
EnerGuide Rating (DV MV Canada)	68.21% (NG) 69.14% (LP)
Venting	4" x 6 5/8"
Dimensions	
Stove Height	35 1/2"
Leg Width	17 3/4"
Depth ²	17 3/4"
Clearances	
Rear	2"
Side	7 3/8"
Corner	3 3/8"
Refer to manual for additional measurements and clearances	

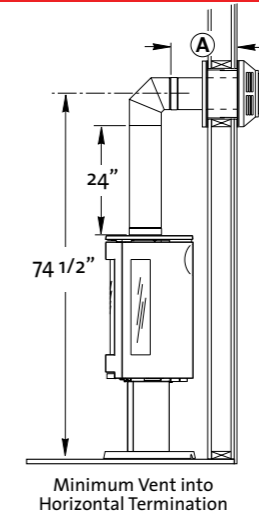
General note for all stoves and fireplaces

1. Heating Capacity will vary depending on the design of the home, climate, elevation, operation and venting configuration. See Zone chart on page 44.
2. Depth is front of stove to back of shroud.
3. Dimensions can vary depending on installation variables. See manuals for exact specifications.
4. All Jøtul gas stoves and fireplaces include approved fire safety screen.
5. Conforms to Amendment 15 of Canada's Energy Efficiency Regulations.



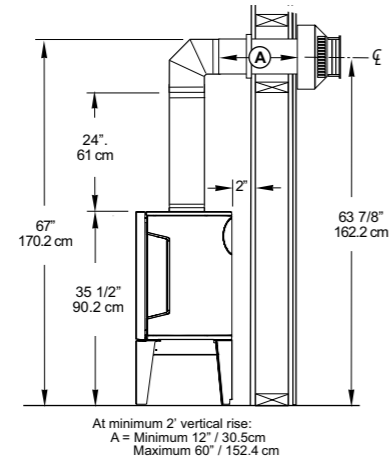
TECHNICAL DIMENSIONS

JØTUL GF 370 DV MILLIVOLT SYSTEM - Page 22



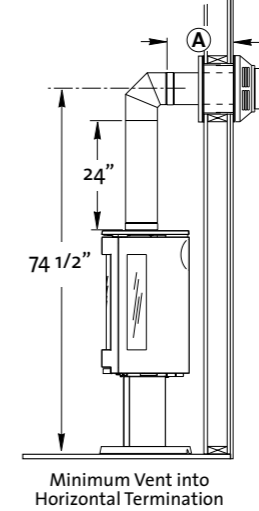
Heating Capacity ¹	400 - 1300 sq.ft.
Min/Max Heat Input (BTU/hr)	18,170-28,000 (NG) 20,750-24,000 (LP)
Efficiency Steady State	76.30%
EnerGuide Rating (DV MV Canada)	71.14% (NG) 64.13% (LP)
Venting	4" x 6 5/8"
Dimensions	
Stove Height	45 1/2"
Width	18 1/4"
Depth ²	17 7/8"
Clearances	
Rear	3"
Side	7"
Corner	5"
Refer to manual for additional measurements and clearances	

JØTUL GF 160 DV IPI - Page 18



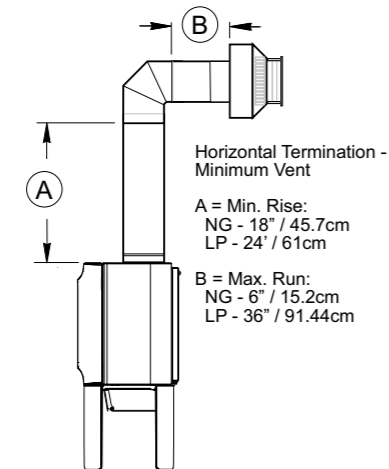
Heating Capacity ¹	200 - 1000 sq.ft.
Min/Max Heat Input (BTU/hr)	15,800-24,000 (NG) 19,800-24,000 (LP)
Efficiency Steady State	74.49%
EnerGuide Rating (DV Canada)	67.91% (NG) 68.53% (LP)
Venting	4" x 6 5/8"
Dimensions	
Stove Height	35 1/2"
Leg Width	17 3/4"
Depth ²	17 3/4"
Clearances	
Rear	2"
Side	7 3/8"
Corner	3 3/8"
Refer to manual for additional measurements and clearances	

JØTUL GF 370 DV II IPI - Page 24



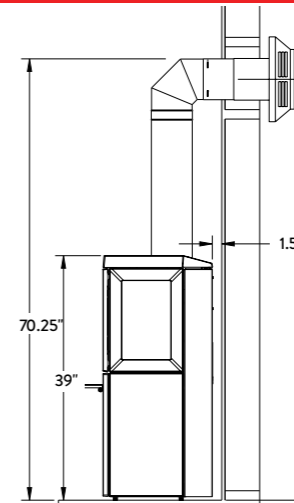
Heating Capacity ¹	400 - 1300 sq.ft.
Min/Max Heat Input (BTU/hr)	18,170-28,000 (NG) 20,750-24,000 (LP)
Efficiency Steady State	79.30%
EnerGuide Rating (DV Canada)	71.14% (NG) 64.13% (LP)
Venting	4" x 6 5/8"
Dimensions	
Stove Height	45 1/2"
Width	18 1/4"
Depth ²	17 7/8"
Clearances	
Rear	3"
Side	7"
Corner	5"
Refer to manual for additional measurements and clearances	

JØTUL GF 305 DV IPI - Page 20



Heating Capacity ¹	400 - 1300 sq.ft.
Min/Max Heat Input (BTU/hr)	18,707-28,000 (NG) 22,370-28,000 (LP)
Efficiency Steady State	73.16%
EnerGuide Rating (DV Canada)	67.98% (NG) 68.14% (LP)
Venting	4" x 6 5/8"
Dimensions	
Stove Height	33 3/8"
Leg Width	21 3/4"
Depth ²	16 1/4"
Clearances	
Rear	2"
Side	2"(R side) 6"(L side)
Corner	3"
Refer to manual for additional measurements and clearances	

JØTUL GF 520 DV MILLIVOLT SYSTEM - Page 26



Heating Capacity ¹	700 - 1,800 sq.ft.
Min/Max Heat Input (BTU/hr)	16,500-30,000 (NG) 16,500-29,000 (LP)
Efficiency Steady State	71.72%
EnerGuide Rating (DV MCVCanada)	63.49% (NG) 64.61% (LP)
Venting	4" x 6 5/8"
Dimensions	
Stove Height	39"
Width	23 3/8"
Depth ²	17 1/2"
Clearances	
Rear	11/2"
Side	10"
Corner	3 3/8"
Refer to manual for additional measurements and clearances	



General note for all stoves and fireplaces

1. Heating Capacity will vary depending on the design of the home, climate, elevation, operation and venting configuration.

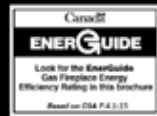
See Zone chart on page 44.

2. Depth is front of stove to back of shroud.

3. Dimensions can vary depending on installation variables. See manuals for exact specifications.

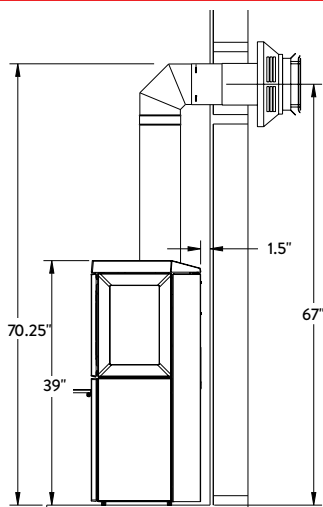
4. All Jøtul gas stoves and fireplaces include approved fire safety screen

5. Conforms to Amendment 15 of Canada's Energy Efficiency Regulations



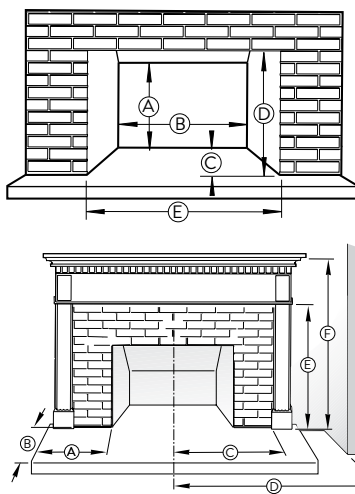
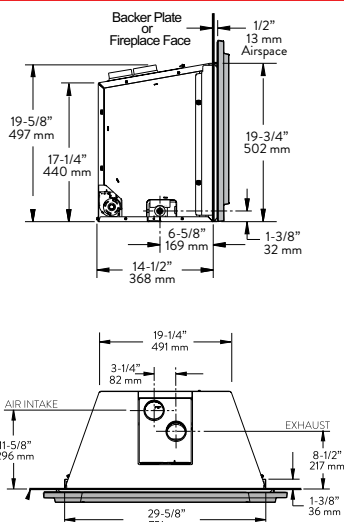
TECHNICAL DIMENSIONS

JØTUL GF 520 DV IPI - Page 26



Heating Capacity ¹	700 - 1,800 sq.ft.
Min/Max Heat Input (BTU/hr)	16,500-30,000 (NG) 16,500-29,000 (LP)
Efficiency Steady State	71.72%
EnerGuide Rating (DV Canada)	64.19% (NG) 65.47% (LP)
Venting	4" x 6 5/8"
Dimensions	
Stove Height	39"
Width	23 3/8"
Depth ²	17 1/2"
Clearances	
Rear	1 1/2"
Side	10"
Corner	3 3/8"
Refer to manual for additional measurements and clearances	

JØTUL GI 545 DV WINTER HARBOR - Page 28



A	Minimum Back Wall Height	20"
B	Minimum Back Wall Width	20"
C	Minimum Fireplace Depth	15"
D	Minimum Opening Height	20"
E	Minimum Opening Width	30"

A: Hearth Protection Width from fireplace opening

- Unit flush: Min 3 1/8"
- Unit raised minimum 6" off floor: 0"

B: Hearth Protection Depth

- Unit flush with hearth 12"
- Unit raised min. 6" off floor: 0"

C: Side Trim Clearance

- Up to 6" depth, from fireplace center line: 20 3/4"

D: Side Room Wall Clearance

- From the fireplace center line: 27"

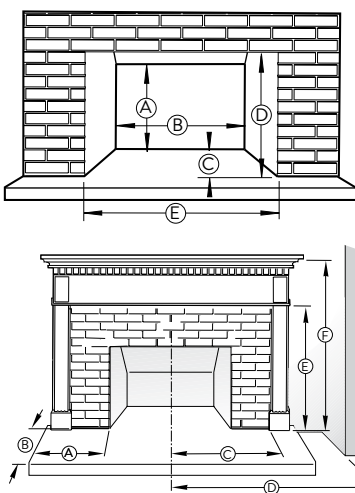
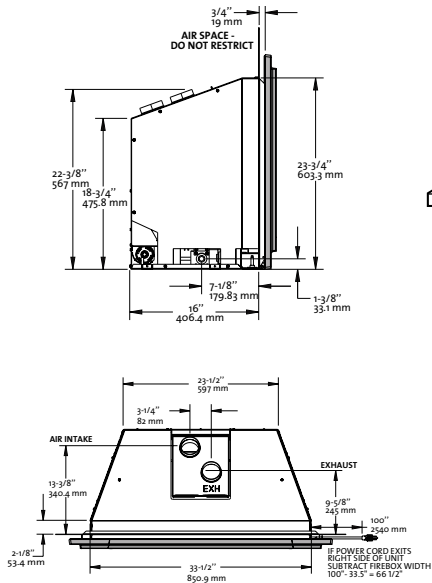
E: Top Trim Clearance

- From hearth: 37 1/4"

F: Mantel

- 37 1/4" at 4"/ 39 3/4" at 12" depth
- With Mantel Heatshield: 32 1/4" at 4"/ 36" at 12" depth
- EnerGuide Rating³ (DV MV Canada) 63.28% (NG) 65.39% (LP)

JØTUL GI 645 DV ASTRID - Page 28



A	Minimum Back Wall Height	19"
B	Minimum Back Wall Width	23 3/4"
C	Minimum Fireplace Depth	16 1/2"
D	Minimum Opening Height	24"
E	Minimum Opening Width	33 3/4"

A: Hearth Protection Width from fireplace opening

- Unit flush: Min 4 5/8"
- Unit raised minimum 6" off floor: 0"

B: Hearth Protection Depth

- Unit flush with hearth 12"
- Unit raised min. 6" off floor: 0"

C: Side Trim Clearance

- Up to 6" depth, from fireplace center line: 21 1/8"

D: Side Room Wall Clearance

- From the fireplace center line: 26 5/8"

E: Top Trim Clearance

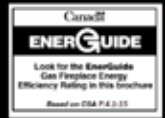
- From hearth: 46" / 38 1/2" with Mantel Heatshield

F: Mantel: 46" at 4" / 48 1/8" at 12" depth

- With Mantel Heatshield: 38 1/2" at 4" / 42 1/2" at 12" depth
- EnerGuide Rating³ (DV MV Canada) 64.55% (NG) 64.57% (LP)

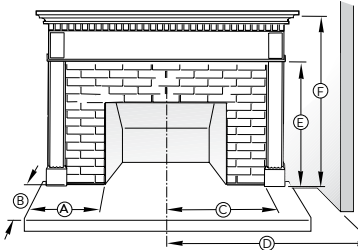
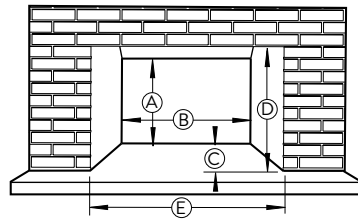
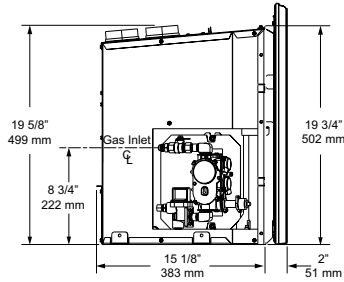
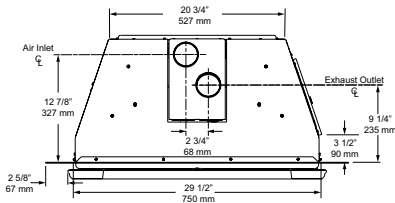
General note for all stoves and fireplaces

1. Heating Capacity will vary depending on the design of the home, climate, elevation, operation and venting configuration. See Zone chart on page 44.
2. Depth is front of stove to back of shroud.
3. Dimensions can vary depending on installation variables. See manuals for exact specifications.
4. All Jøtul gas stoves and fireplaces include approved fire safety screen.
5. Conforms to Amendment 15 of Canada's Energy Efficiency Regulations



TECHNICAL DIMENSIONS

JØTUL GI 535 DV IPI NEW HARBOR - Page 36



A	Minimum Back Wall Height	20"
B	Minimum Back Wall Width	21"
C	Minimum Fireplace Depth	15 3/8"
D	Minimum Opening Height	20"
E	Minimum Opening Width	30"

A: Hearth Protection Width

- Unit flush or raised: 3 1/8" from fireplace opening

B: Hearth Protection Depth

- Unit flush with hearth 12"
- Unit raised min. 6" off floor: 0"

C: Side Trim Clearance

- Up to 6" thick, from fireplace center line: 17 7/8"

D: Side Room Wall Clearance

- From the fireplace center line: 20 3/8"

E: Top Trim Clearance From Hearth

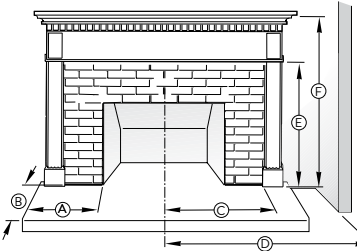
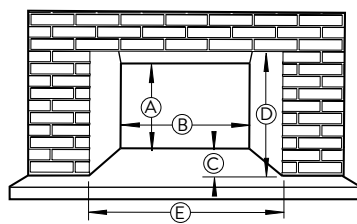
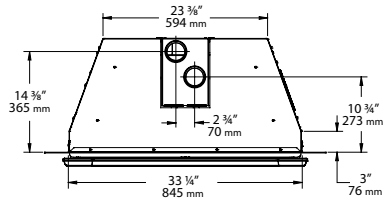
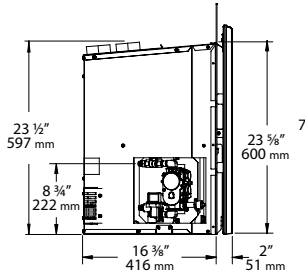
- 36 1/2"

F: Mantel Clearance From Hearth

- 36 1/2" at 4" / 39 1/4" at 12" depth

EnerGuide Rating (DV Canada) 62.39% (NG) 63.15% (LP)

JØTUL GI 635 DV IPI NEWCASTLE - Page 36



A	Minimum Back Wall Height	24"
B	Minimum Back Wall Width	23 1/2"
C	Minimum Fireplace Depth	16 1/2"
D	Minimum Opening Height	24"
E	Minimum Opening Width	33 3/4"

A: Hearth Protection Width

- Unit flush or raised: 4 1/8" from fireplace opening

B: Hearth Protection Depth

- Unit flush with hearth 12"
- Unit raised min. 6" off floor: 0"

C: Side Trim Clearance

- Up to 6" thick, from fireplace center line: 21"

D: Side Room Wall Clearance

- From the fireplace center line: 24"

E: Top Trim Clearance

- From hearth: 37"

F: Mantel

- 37" at 4" / 41" at 12" depth

EnerGuide Rating (DV Canada) 62.29% (NG) 63.67% (LP)



“Jøtul – a life-long source of warmth and comfort.”

Dealer info:

October 2023



[jotul.com](https://www.jotul.com)