



J. A. ROBY

Au cœur de la chaleur

CUISINIÈRE SE HAUTE EFFICACITÉ

1,3 g/h
EFFICACITÉ
78,6 %

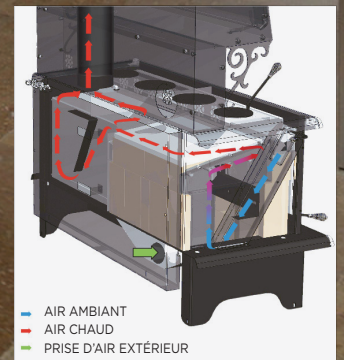
NORMES D'ESSAIS
CSA B415.1
ULC S627
UL 1482



TÊTE CUISINIÈRE CHROMÉE AVEC MIROIR, EN OPTION



COUVERCLE AMOVIBLE



AIR AMBIANT
AIR CHAUD
PRISE D'AIR EXTÉRIEUR

Version chromée disponible (voir verso)

CUISINIÈRE D'AUTREFOIS, VERSION CONTEMPORAINE!

CUISINIÈRE SE

Surface recommandée (pi ²)	1 500 - 2 300
Dimensions extérieures (avec réchaud)	50-1/4" L X 54-1/8" H X 28-1/2" P
Dimensions intérieures	18-5/8" L X 10-7/8" H X 20" P
Ouverture de la porte	15-3/4" L X 10-1/4" H
Diamètre de la sortie	6"
Dégagement plafond / plancher	84"
Efficacité moyenne jusqu'à (bois corde sec)	95 000 BTU
Efficacité moyenne (bois test)	53 935 BTU/h
Poids	580 lb
Longueur bûche	19"
Dégagement arrière	12"
Dégagement latéral et coin	18"
Chambre de combustion	2,87 pi ³

OPTIONS

- Tête cuisinière chromée avec miroir
- 2 plaques de cuisson en fonte émaillée noire: PLAQUECUIG et PLAQUECUID
- Grille de four additionnelle

RÉCHAUD

46-1/8" L X 10-1/8" H X 13-3/4" P
Ouverture porte:
39-1/2" L X 6" H

FOUR

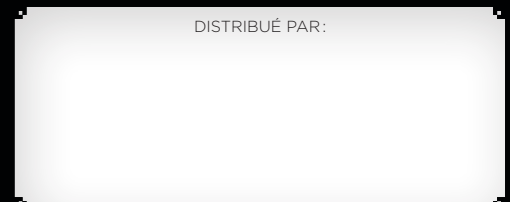
17-1/8" L X 14" H X 19-1/8" P
Ouverture porte:
17" L X 12-1/2" H



FABRIQUÉ AU
QUÉBEC / CANADA

GARANTIE À VIE LIMITÉE

DISTRIBUÉ PAR:





Warmth from the heart of
J.A. ROBY

CUISINIERE LX HIGH EFFICIENCY

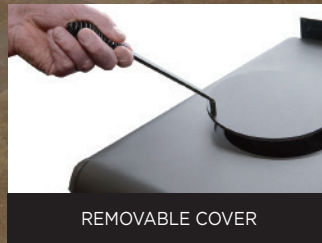


1.3 g/h
EFFICIENCY
78.6%

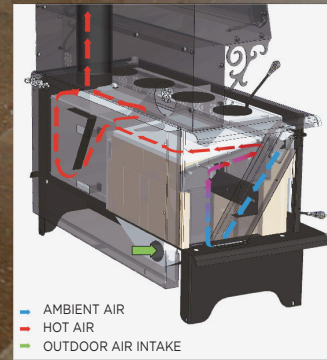
TEST STANDARDS
CSA B415.1
ULC S627
UL 1482



DECORATIVE CHROME-PLATED TOP WITH MIRROR, OPTIONAL



REMOVABLE COVER



— AMBIENT AIR
— HOT AIR
— OUTDOOR AIR INTAKE

Black Edition Available (see back page)

THE PAST WOODBURNING COOKSTOVE, CONTEMPORARY VERSION!

CUISINIERE LX

Recommended surface (sq. ft)	1,500 - 2,300
Exterior dimensions (with food warmer)	50-1/4" W X 54-1/8" H X 28-1/2" D
Interior dimensions	18-5/8" W X 10-7/8" H X 20" D
Door opening	15-3/4" W X 10-1/4" H
Evacuation pipe	6"
Floor to ceiling clearance	84"
Average capacity (dry cordwood)	95,000 BTU
Average capacity (test wood)	53,935 BTU/h
Weight	580 lbs
Log length	19"
Back clearance	12"
Lateral and corner clearance	18"
Firebox capacity	2.87 ft ³

OPTIONS

- Decorative chrome-plated top with mirror
- 2 black enameled cast iron cooking plate: PLAQUECUIG and PLAQUECUID
- Additional oven rack

FOOD WARMER

46-1/8" W X 10-1/8" H X 13-3/4" D
Door opening:
39-1/2" W X 6" H

OVEN

17-1/8" W X 14" H X 19-1/8" D
Door opening:
17" W X 12-1/2" H



MADE IN
QUEBEC / CANADA

LIMITED LIFETIME WARRANTY

DISTRIBUTED BY:



Warmth from the heart of
J.A. ROBY

ECO-FRIENDLY COOKSTOVES



DECORATIVE CHROME-PLATED TOP WITH MIRROR, OPTIONAL

1.9 g/h

TEST STANDARDS

ULC S627
UL 1482
EPA 2020 NSPS



Cicero LX



Cook LX



Marmiton LX

Black Edition Available (see back page)

A TIMELESS LOOKING COOKSTOVE WARMING AT THE HEART OF YOUR KITCHEN!

ECO-FRIENDLY COOKSTOVES

Fuel type	Wood		
Recommended surface (sq. ft)	1,000 - 1,800		
Maximum capacity (dry cordwood)	70,000 BTU		
External dimensions CIRERO	Width 51-3/4"	Height 58-1/2"	Depth 26-1/4"
External dimensions COOK	Width 41-5/8"	Height 58-1/2"	Depth 26-1/4"
External dimensions MARMITON	Width 41-5/8"	Height 37-1/2"	Depth 26-1/4"
Food warmer internal dimensions	Width 38-7/8"	Height 10-1/4"	Depth 16-1/4"
Oven internal dimensions	Width 17-1/2"	Height 12-1/2"	Depth 18-3/4"
Chimney type	2,100 °F. - 650 °C.		
Output diameter	6"		
Recommended chimney diameter	6"		
Chimney minimum height	12'		
Maximum log length	20"		
Firebox dimensions	Width 12"	Height 11-5/8"	Depth 20" Volume 1.7 ft ³
Door opening dimensions	Width 9"	Height 9-1/8"	
Food warmer door opening dimensions	Width 31-3/8" Height 6"		
Clearance to combustible materials without water tank from the appliance	Back: Connector with double wall: 2-1/4" • Connector with heat shield: 5" Connector with single wall: 13-3/4"		
MOBILE HOME APPROVED	Lateral: 10" • Corner: 8"		
Weight	CICERO 546 lbs COOK 510 lbs MARMITON 448 lbs		

OPTIONS

CICERO & COOK & MARMITON: CBFRE: Water tank • Included with CICERO
CBCPCD: Cooking plate RIGHT • CBCPCG: Cooking plate LEFT
CUISINIEREGF: Additional oven rack for cookstove
CICERO & COOK: CBFTRCH: Decorative chrome-plated top with mirror



MADE IN
QUEBEC / CANADA

LIMITED LIFETIME WARRANTY

DISTRIBUTED BY:

J.A. ROBY INC. | 490, rue de l'Argon, Quebec, QC Canada G2N 2C9 Phone: 418 849-0077 Fax: 418 849-0077 www.jaroby.com

PICTURES SHOWN ARE AS INDICATIVE TITLE ONLY. 06/17



Warmth from the heart of
J.A. ROBY

RIGEL

1.36 g/h
EFFICIENCY
75.6%

TEST STANDARDS
ULC S627
UL 1482
EPA 2020 NSPS



COUVERCLE AMOVIBLE



PLAQUE DE CUISSON EN FONTE EMAILÉE NOIRE INCLUSE



RIGEL

Recommended surface (sq. ft)	500 - 1,800
Exterior dimensions (with food warmer)	26-7/8" W X 54-1/8" H X 25-1/2" D
Firebox dimensions	18-3/8" W X 10-7/8" H X 15-3/4" D
Door opening	15-5/8" W X 9-1/8" H
Evacuation pipe	6"
Maximum heat output (dry cordwood)	70,000 BTU
Maximum heat output (test wood)	27,214 BTU/h
Minimum heat output (test wood)	11,440 BTU/h
Weight (with food warmer)	320 lbs
Log length (lateral)	18"
Floor to ceiling clearance	84"
Back evacuation pipe clearance	10"
Lateral clearance	20"
Corner clearance	8"
Efficiency	75.6%
Firebox capacity	1.83 ft ³
Outdoor air intake	4"
MOBILE HOME APPROVED	
Color	Metallic black
Black enameled cast iron cooking plate included	

OPTIONS

- Chrome-plated cast iron legs
- Chrome-plated trim door
- 2 blowers (150 CFM) and 1 thermodisc kit (VENT)

FOOD WARMER

- 22-1/4" W X 10" H X 11-3/4" D
- Door opening:
17-1/2" W X 6" H



LIMITED LIFETIME WARRANTY

DISTRIBUTED BY: