

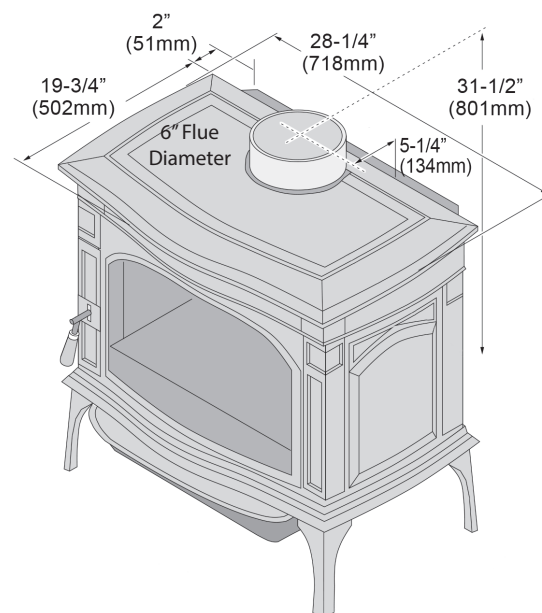
# ROCKPORT™ NEXGEN-HYBRID™ WOOD BURNING STOVE



**THIS MODEL QUALIFIES FOR THE 30% USA TAX CREDIT  
ON THE PURCHASE, VENTING AND INSTALLATION COSTS**  
PLEASE CONSULT WITH YOUR TAX ADVISOR TO CONFIRM YOUR ELIGIBILITY FOR THIS TAX CREDIT

## CAST IRON ELEGANCE

The Rockport™ wood stove by Lopi® combines beautiful European castings with optimum performance and solid construction to bring you the perfect mid-sized wood stove. Premium materials like iron, steel, real masonry brick and crystal clear ceramic glass are brought together in a fusion of classic elegance and durability, designed to keep your family warm for years to come, even when the power goes out. This stove comes standard with a bypass damper that allows for easy startups and reloading, along with an easy-glide ash pan for quick cleanup. The Rockport features NexGen-Hybrid™ technology, making it one of the most efficient and cleanest burning wood stoves in the world!



# ROCKPORT™ NEXGEN-HYBRID™ STOVE

## NEXGEN-HYBRID™ TECHNOLOGY, THREE STAGES OF COMBUSTION

**Stage 1:** Occurs when the wood is burning and heat from the fire causes the wood to release gases and smoke.

**Stage 2:** Preheated air is introduced into the fire, which ignites the gases and smoke. This produces more heat and reduces emissions.

**Stage 3:** Remaining gases and smoke enter an advanced combustion chamber above the baffle plate where they are reignited, producing even more heat and reducing emissions even further.

The result of this three-stage combustion process is cleaner, longer burns, higher efficiencies, and more heat into your home. This makes NexGen-Hybrid™ wood appliances some of the most efficient and cost effective ways to heat your home, even when the power is out.

### SPECIFICATIONS

Emissions:	0.73 Grams Per Hour
Heating Capacity:*	Up to 2,000 Square Feet
EPA Tested BTU Range:	12,594 to 42,722 BTUs Per Hour
Real World BTUs:	<i>EPA tests to determine BTU output are achieved with a single load of wood at each burn rate. At home, you are likely to add more wood to your insert to maintain your desired comfort level. By the simple process of loading your fireplace insert with additional wood, you could achieve up to a 20% higher heat output than established during EPA testing.</i>
Efficiency:**	80% HHV
Construction:	Cast Iron
Glass Area:	165 sq. in (16-3/4"W x 10-3/8"T)

\* Heating capacity may vary depending on degree of home insulation, floor plan and ambient temperature zone of the area you live.

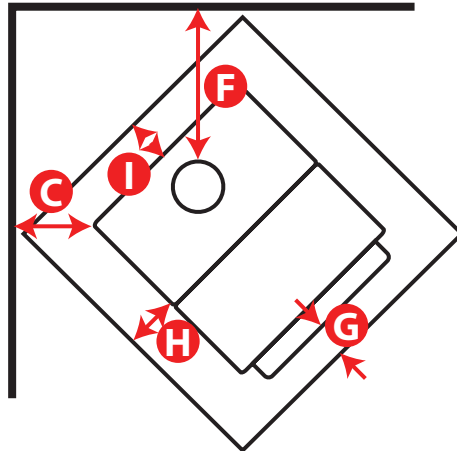
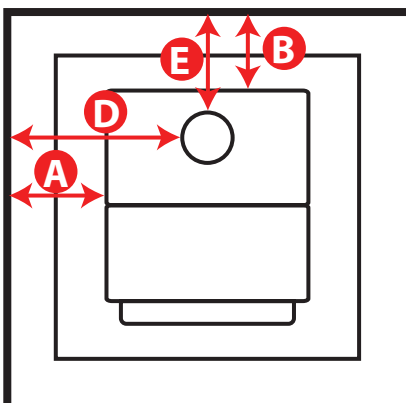
\*\*As tested using B-415.1 using Cord Wood. HHV = High Heat Value

Maximum Burn Time:	Up to 10+ Hours
Firebox Size:	2.04 Cubic Feet
Maximum Log Size:	20"
Weight:	450 Pounds

### OPTIONS

- 400 CFM Convection Fan
- Outside Air Kit
- **GREEN START™** Igniter

### CLEARANCES & HEARTH PROTECTION



	Single Wall Connector	Double Wall Connector
A	16"	16"
B	16"	10-1/2"
C	9"	9"
D	27-1/8"	26-1/2"
E	18-1/4"	12-1/4"
F	19-1/4"	18-3/4"
	USA	Canada
G	16"	18"
H	6"	8"
I	6"	8"